

Argo 8x8 ***Frontier***



Argo 8x8

PARTS MANUAL

Frontier 8x8 5

Scout 8x8 5

Responder 8x8 5

From Serial # ...39157

Foreword

ODG has prepared this parts manual for the 8x8 FRONTIER model to assist both qualified mechanics and vehicle owners in ordering correct, quality replacement ARGO parts. For the most current parts manual visit our website at www.argoxtv.com.

Proper and regular service, and replacing old, worn or broken parts with the correct ARGO replacement parts, are both essential to prolonging the life of the ARGO. Please refer to this parts manual and/or our website www.argoxtv.com before ordering any replacement part.

All information contained in this 8x8 FRONTIER Parts Manual is based on the latest product specification available at time of printing. If your 8x8 FRONTIER differs from the specifications contained in this manual, check our website www.argoxtv.com for the most current information.

ODG reserves the right to alter specifications on the 8x8 FRONTIER model at any time, without obligation or prior notification.

Reproduction of this 8x8 FRONTIER Parts Manual, in whole or in part, is prohibited without prior written permission from Ontario Drive & Gear Limited.

Vehicle Identification

8x8 FRONTIER - Serial Nos.39157

Explanation of Parts Manual Format

Ref	- Reference number between assembly diagram and component parts list
Part No.	- Argo replacement part number for identification and re-ordering
Description	- Part description for identification and re-ordering
Qty	- Indicates the quantity of a part used in an assembly

Argo 8x8 Frontier



Using the Parts Manual

1. Find the major vehicle assembly in the Table of Contents on this page, and turn to that section.
2. Locate the part in the illustration that you wish to order.
3. Refer to the parts list in that section.
4. Find the correct part number (Part No.), part description (Description) and correct quantity (Qty).
5. Use *only* this information to order ARGO replacement parts. **DO NOT** attempt to order a replacement part by reference number or page number.

Table of Contents

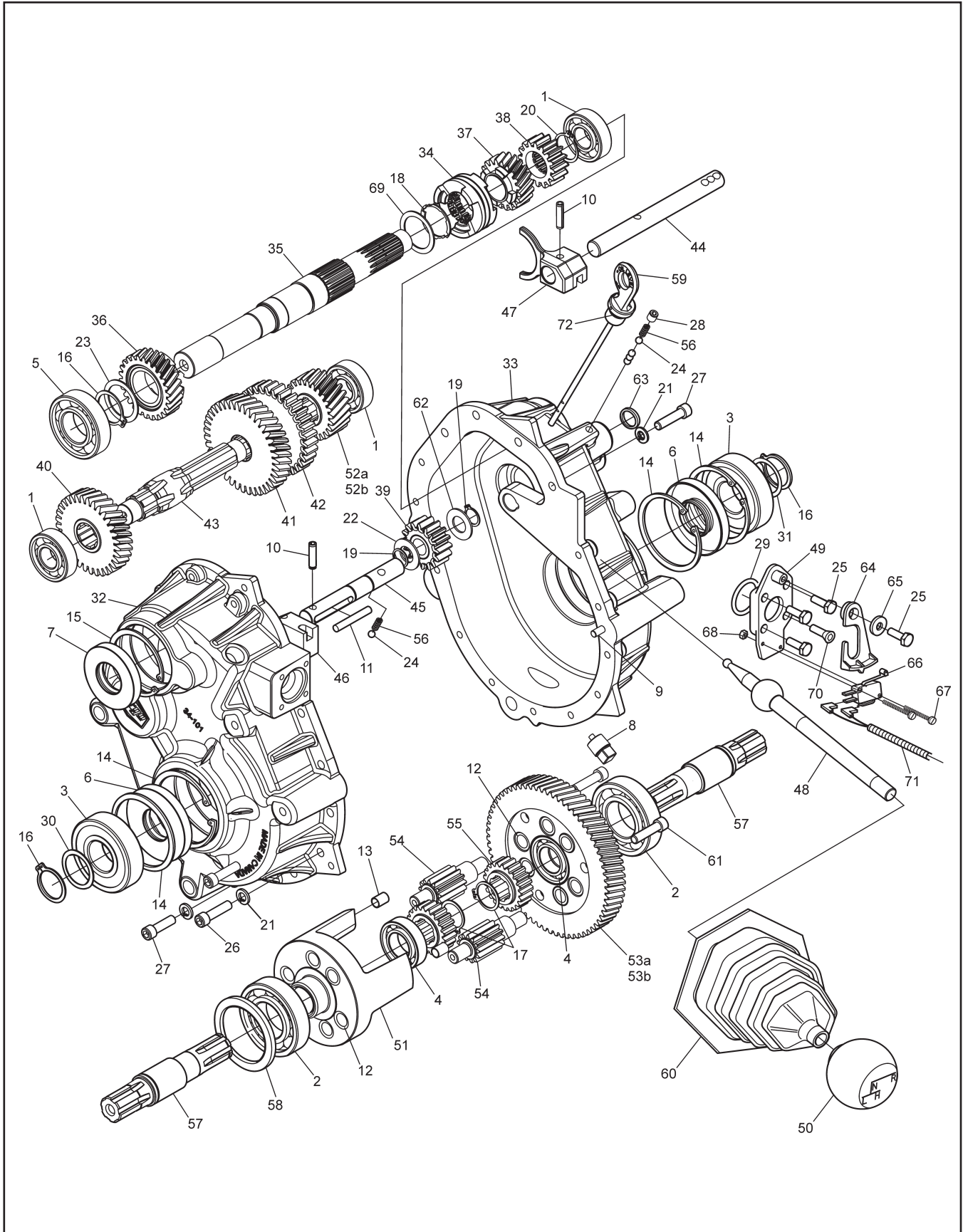
Foreword	i
Vehicle Identification.....	i
Using the Parts Manual	ii
1.0 Transmission	2
2.0 Intake and Exhaust System.....	4
3.0 Clutch System	6
4.0 Power Pack Assembly	8
5.0 Steering & Brake System	10
6.0 Parking Brake	12
7.0 Vehicle Body & Firewall.....	14
8.0 Frame & Drive System	16
9.0 Fuel System & Seat Assembly	18
10.0 Electrical System.....	20
11.0 Scout Option.....	22
662-96 Receiver Winch	24
622-142/622-143 Winch	25
624-10 Brake Tailights	26
638-40 Bilge Pump	27
642-50 Brush Guard.....	28
848-173 Entry Step.....	29
848-240 Entry Step.....	30
850-255 CE Accessory	31
864-01 Brake Cooling Accessory	32
850-310 Stretcher - Frontier	33

Frontier 8x8 Parts Manual

Frontier 8x8 Vehicle Matrix

Old Model	8x8 Frontier EFI	8x8 Frontier EFI	8x8 Frontier EFI
Model	Frontier 8x8 S	Frontier 8x8 Scout S	Frontier 8x8 Responder S
Accessory			
864-01 Brake Cooling	Yes	Yes	Yes
624-10 Brake Lights		Yes	Yes
642-50 Brushguard		Yes	Yes
Build Package		Scout	Responder
CE (Horn / BU Alarm)	No Yes	No Yes	No Yes
Drive Belt	127-159	127-159	127-159HD
Engine	23 HP	26 HP	26 HP
Entry Step	848-240	848-240	848-173
850-340 Front Cargo Rack		Yes	
622-96 Reciever Winch			Yes
Seats		Wilderness	Fold Down
850-310 Stretcher			Yes
Tires	24 Argo	24 Argo	25 Argo
Transmission	Standard High Torque	Standard High Torque	Standard High Torque
622-142 Winch		Yes	Yes

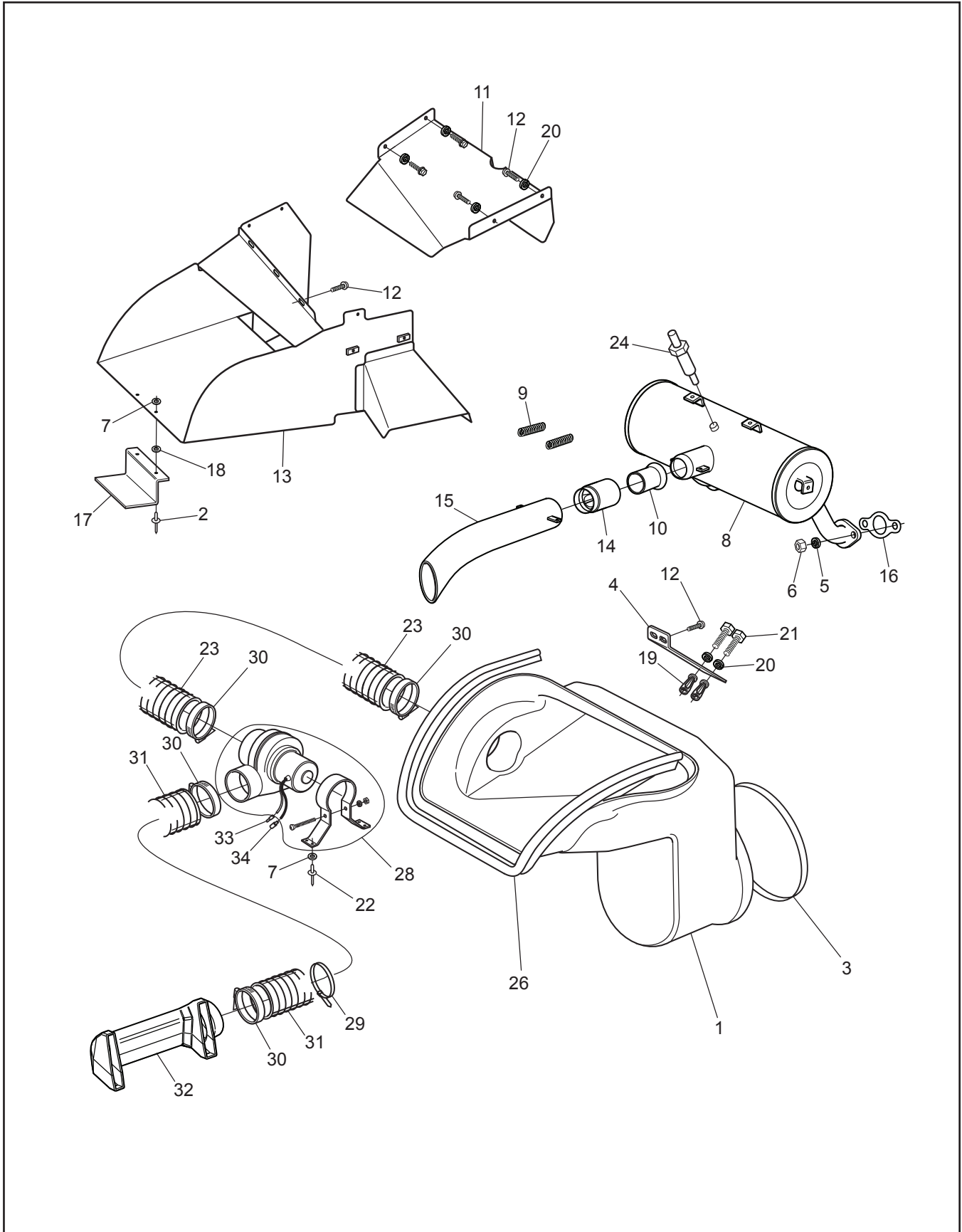
* All vehicles come with bearing extensions, bilge pump and skid plate as standard.



Frontier 8x8 Parts Manual

1.0 Transmission

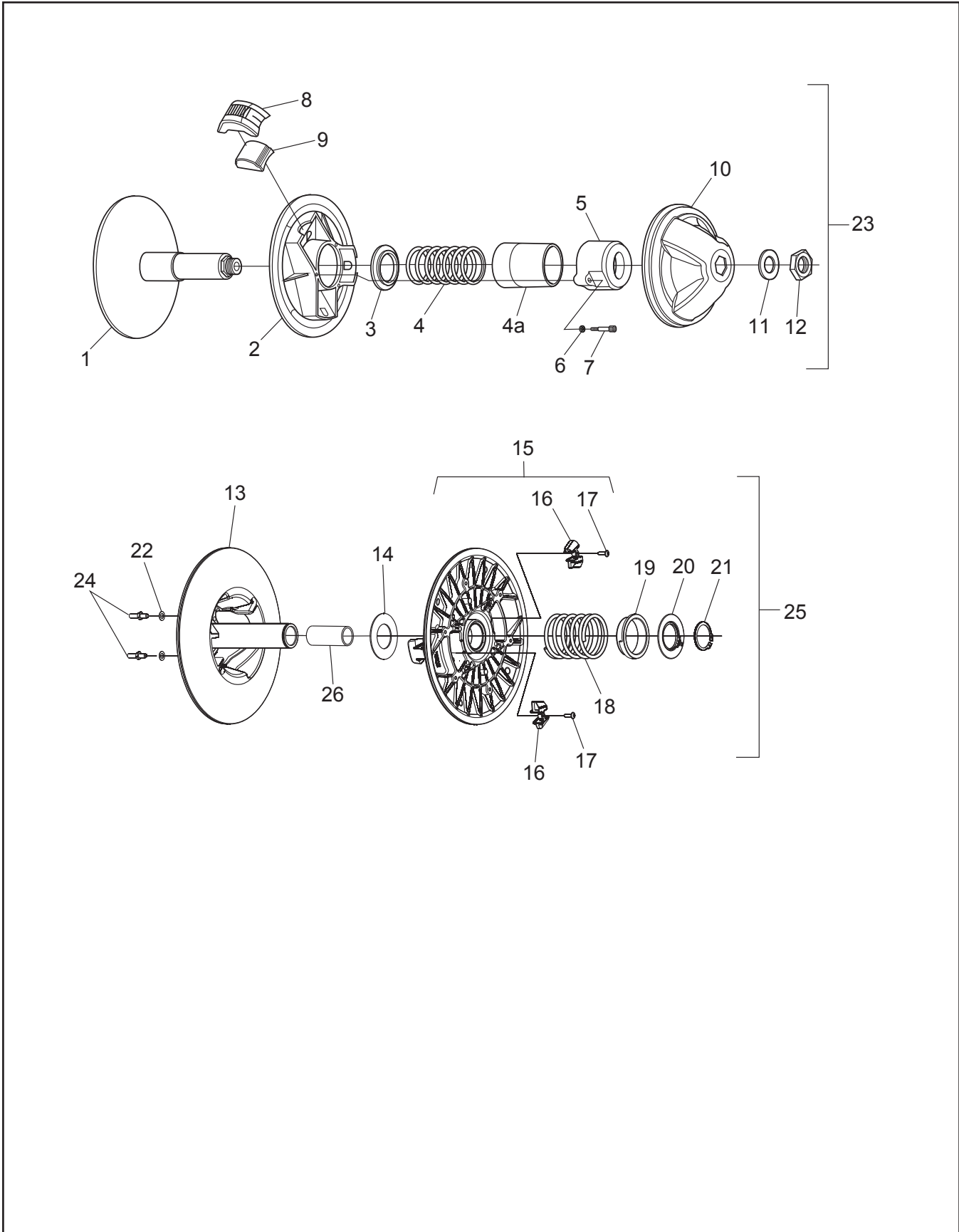
Ref.	Qty.	Part #	Description	Ref.	Qty.	Part #	Description
	1	34-100	Transmission Assembly	40	1	34-109	Gear, Helical - HI 12DP 33T
	1	34-100-3.3	Transmission Assembly	41	1	34-110	Gear, Helical - LOW 12DP 39T
1	3	101-01	Bearing, Ball 6204Z-C3	42	1	34-111	Gear, Reverse - 10DP 33T
2	2	101-03	Bearing, Ball 6207-C3	43	1	34-112	Shaft, Spline
3	2	101-05	Bearing, Ball 6306LLU-C3/2A	44	1	34-113	Shaft, Shift - Forward
4	2	101-15	Bearing, Ball 6005-C3	45	1	34-114	Shaft, Shift - Reverse
5	1	101-16	Bearing, Ball 6206-C3	46	1	34-115	Block, Shift
6	2	102-03	Seal,Oil WBS 30x72x10 NB D/LIP	47	1	34-116	Fork, Shift
7	1	102-05	Seal,Oil WBS 30x62x10 NB D/LIP	48	1	34-117	Lever, Shift
8	1	103-02	Plug, Magnetic 3/8-18NPT SQ.HD	49	1	34-131	Plate, Shifter
9	2	104-03	Pin, Dowel 1/4x7/8	50	1	34-121	Knob, Shift - w/Argo Logo
10	2	104-39	Pin, Spring - 1/4 x 1.0	51	1	34-122	Cage, Differential
11	1	104-40	Pin, Dowel - 1/4 x 1.75	52a	1	34-123	Pinion, Helical - 25T - 2.6
12	12	105-03	Bushing, Oilite - 1/2x3/4	52b	1	34-125	Pinion, Helical - 21T - 3.3
13	3	105-23	Bushing, Dowel - .312 x .5	53a	1	34-124	Gear Plate - 66T - 2.6
14	4	106-03	Retaining Ring HO-281PA	53b	1	34-126	Gear Plate - 70T - 3.3
15	1	106-05	Retaining Ring HO-244-PA	54	6	34-13	Gear, Planet - 12T
16	3	107-02	Retaining Ring SH-0118-PA	55	2	34-14	Gear, Sun - 21T
17	2	107-04	Retaining Ring SH-0098-PA	56	2	34-32	Spring, Comp. 0.22x.50
18	1	107-14	Retaining Ring LC-125-PA	57	2	34-98	Shaft, Output - Splined
19	2	107-11	Retaining Ring	58	1	114-01	Washer, Shim 2.25 x 2.81 x .02
20	1	107-15	Retaining Ring SHR-098-PA	59	1	CE-035	Dipstick - with Breather - 190mm
21	15	108-05	Lockwasher 5/16 Split Ring Zn	60	1	609-38	Boot, Shifter
22	1	108-78	Washer, Thrust	61	3	112-64	SHCS, 5/16-18 x 1.25
23	1	108-79	Washer, Thrust	62	1	108-88	Washer, Retaining Thrust
24	5	109-05	Ball, Steel 6mm 62-67 Rc	63	1	113-16	O-Ring #AS568-014-70BN 5/8"OD x 1/2"ID x 1/16" Thk
25	4	112-04	HHCS 1/4-20x3/4 Gr2 Zn	64	1	34-132	Follower, Neutral Start
26	14	112-143	SHCS 5/16 x 1.25 Zn	65	1	108-08	Washer, .28 x .62 x .07 Zn
27	1	112-144	SHCS 5/16 x 1.0 Zn	66	1	809-202	Switch, Limit - Two Pole
28	1	112-145	SHSS 5/16 - 18 X 3/8	67	2	112-172/PI	SHMS, #5-40x3/4 Zn
29	1	113-11	O-Ring #AS568-216-70BN	68	2	112-173/PI	Locknut, #5-40 Zn
30	1	114-04	Washer, Shim 1.19x1.50x.04	69	1	108-85	Washer, Retaining Thrust
31	1	114-05	Washer, Shim 1.19x1.50x.02	70	1	112-171	FHSC 1/4-20 x 3/4 Gr2 Zn
32	1	34-101	Housing, Transmission - L	71	1	613-112	Wire Harness, Neutral Start
33	1	34-102	Housing, Transmission - R	72	1	161-28	O-Ring, 3mm CS x 12mm ID
34	1	34-127	Clutch, Dog				
35	1	34-130	Shaft, Input - 19/15T Spline				
36	1	34-128	Pinion, Helical - HI 12DP 26T				
37	1	34-129	Pinion, Helical - LO 12DP 20T				
38	1	34-107	Pinion, Reverse - 10DP 16T				
39	1	34-108	Gear, Idler - Rev - 10DP 16T				



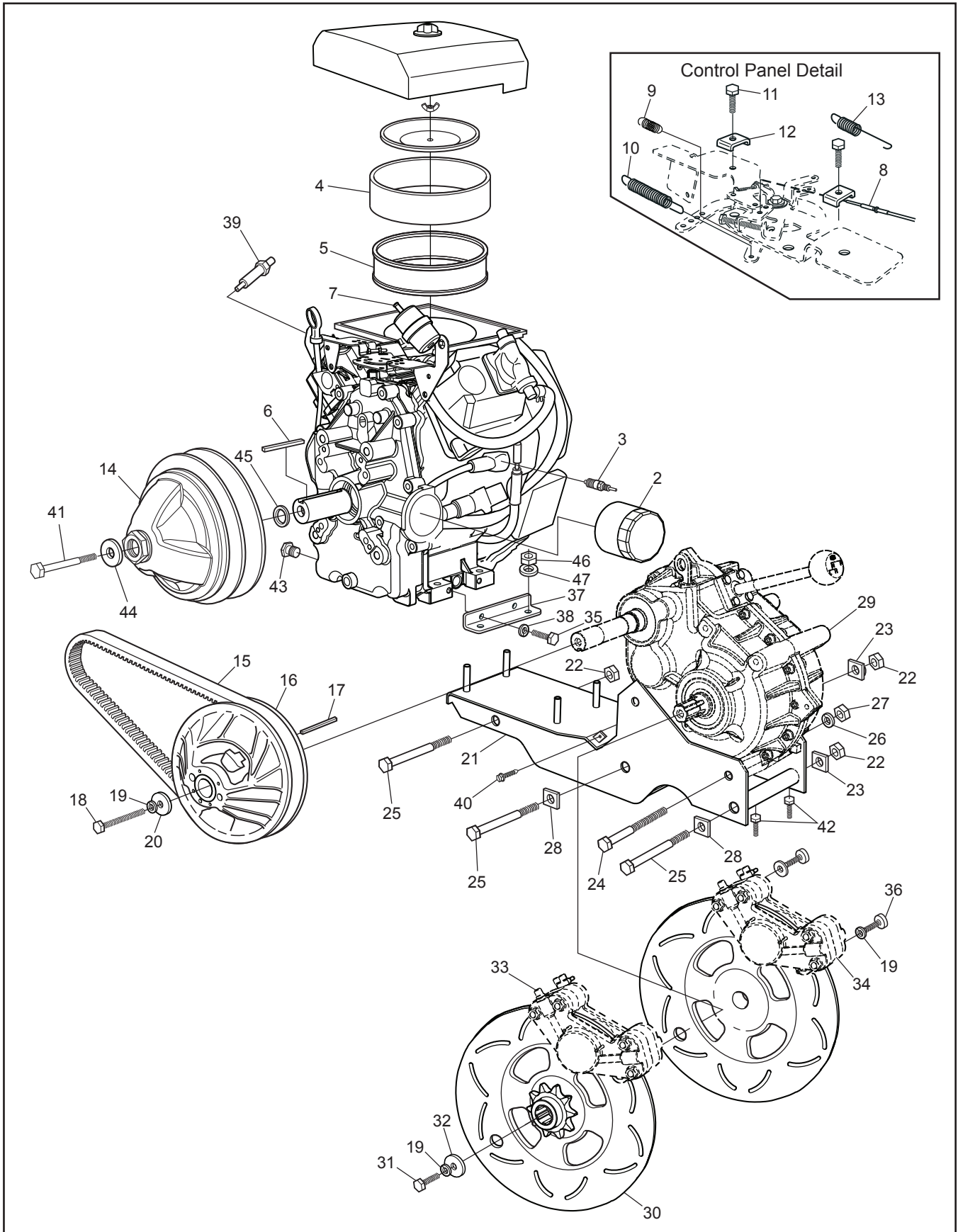
Ref.	Qty.	Part #	Description
1	1	809-15	Duct, Intake - Frontier
2	2	120-31	Rivet, 3/16 x 1/4". Open End
3	1	807-77-30	Seal, Radiator, 30
4	1	707-55	Bracket, Intake Duct - Frontier EFI
5	4	108-02	Lockwasher 5/16 Hi-Collar Bare
6	4	117-73	Nut M8x1,25 Zn
7	4	120-04	Washer, .19 x .50 x .08 Zn
8	1	607-121	Muffler Ass'y, Avenger EFI
9	2	127-187	Spring, Extension - 17/32 x 3.75
10	1	607-135	Tube, Muffler, Flared x 2.0
11	1	607-210	Shield, Heat, Frontier EFI
12	9	112-19	Screw, IHWH T/C Slot 1/4-20 x 1/2
13	1	607-164	Duct, Exhaust - Frontier
14	1	607-126	Spark Arrester, 1.75 Dia.
15	1	607-134	Pipe, Tail Asy
16	2	24 041 49	Gasket, Exhaust Manifold
17	1	707-45	Support, Exhaust Duct
18	2	125-58	Washer, Fibre - W-77F
19	2	117-53	Nut, Jack 1/4-20 8L-JNS Zn
20	6	108-03	Lockwasher 1/4 Split Ring Zn
21	2	103-97	HHCS 1/4-20 x 1.25 Gr5 Zn
22	4	120-09	Rivet, 3/16 x 1.0 Black
23	1	127-140	Hose, Brake Fan Inlet
24	1		See Section 4.0 Power Pack Assembly
26	1	807-77-86	Seal, Radiator, 86"
28	1	127-184	Blower Fan
29	1	100-102	Tie Wrap, 14" - White
30	4	125-35	Clamp, Gear 3.50" HF-52
31	1	127-139	Hose, Brake Fan Discharge
32	1	127-134	Duct, Brake Cooling
33	1	118-02	Terminal, Male #76-1251
34	1	118-03	Terminal, Female #76-1289

3.0 Clutch System

Frontier 8x8 Parts Manual



Ref.	Qty.	Part #	Description
1	1	0405-0138	Flange, Fixed
2	1	0410-0033	Flange, Sliding
3	1	0150-1014	Spring Guide Washer
4	1	1151-1114	Spring
4a	1	0450-3002	Guide, Spring
5	1	0440-0005	Spring Cover
6	3	0080-0167	Lockwasher
7	3	0080-0021	Screw, Cap
8	3	0130-3012	Block
9	3	0135-3065	Weight (275gr)
	1	127-208	Weight Set (3), 185g - High Elevation (See Bulletin NP #5)
	1	127-209	Weight Set (3), 220g - High Elevation (See Bulletin NP #5)
	1	127-210	Weight Set (3), 240g - High Elevation (See Bulletin NP #5)
	3	0135-3061	Weight (230gr) - Scout Trim Package
10	1	0115-2061	Cap
11	1	0080-0804	Washer, Zn
12	1	V16J1	Nut
13	1	5905-0003	Flange, Fixed
14	1	0080-0164	Washer, Shim
15	1	5910-0002	Flange, Sliding
16	2	5930-3001	Cam Shoe
17	2	0080-0031	Screw
18	1	5951-1009	Spring
19	1	5950-3003	Spring Protector
20	1	5950-3002	Spring Support
21	1	0080-0216	Retaining Ring, Outside
22	2	0080-0167	Lockwasher
23	1	610-128	Clutch, Driver - EFI
24	2	0080-0035	Screw & Nut Ass'y
25	1	127-156	Clutch, Driven - INVANCE
26	1	5940-2001	Keyway Stopper



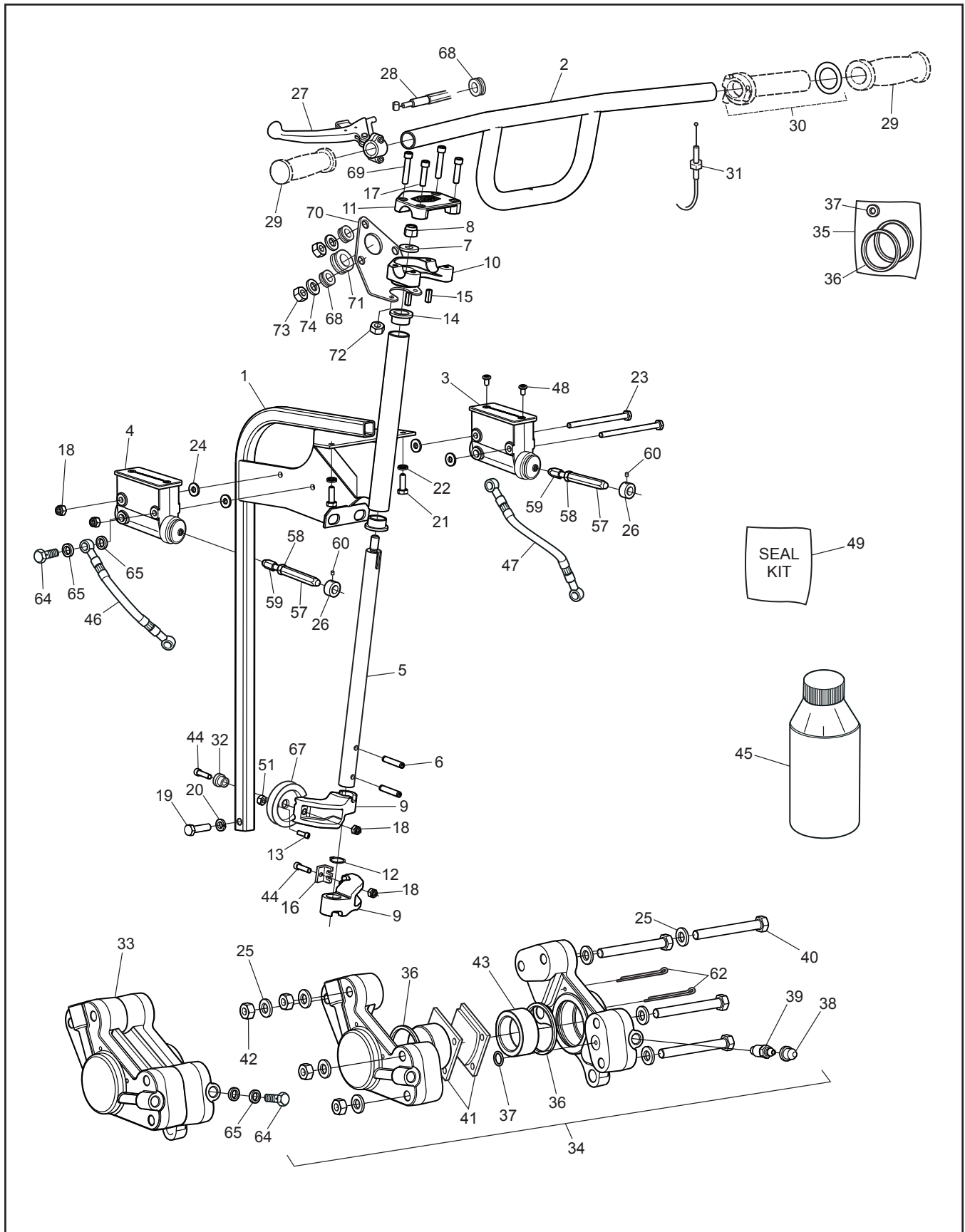
Frontier 8x8 Parts Manual

4.0 Power Pack Assembly

Ref.	Qty.	Part #	Description	Ref.	Qty.	Part #	Description
1	1	ECH749	Engine, Kohler 26HP EFI	33			See Section 5.0 Steering & Brake System
2	1	12 050 01	Filter, Oil - Kohler	34			See Section 5.0 Steering & Brake System
3	2	25 132 12	Sparkplug 3071	35	2	112-20	HHCS M8x1,25x25mm Zn
4	1	24 083 05	Prefilter, Air ECH730	36	4	103-41	SHCS 3/8-16 x 1.25 Zn
5	1	24 083 03	Filter, Air ECH730	37	1	610-134	Brkt, Powerpack - Side Mnt
6	1	110-18	Key 1/4 x 1/4 x 1.75 RC45	38	2	108-05	Lockwasher 5/16 Split-Ring Zn
7	1	25 050 42	Filter, Fuel	39	1	25 418 07	Sensor, Oxygen 4 Wire
8	1	612-101	Cable Asm, Throttle- FRN/AVG	40	2	103-71	Screw, IHWH T/C 1/4-20 x 1.25
9	1	24 089 51	Spring, Throttle	41	1	112-160	HHCS, 7/16-20 x 5" Lg
10	1	24 089 46	Spring, Governor	42	2	103-53	HHCS 3/8-16 x 3.0 Full Thread
11	1	M-545016	Screw	43	1	112-156	Plug, Oil Drain 3/8-18NPT Hex
12	1	12 237 01	Clamp, Cable	44	1	108-58	Washer .47 x 1.37 x .12 Hi-Carbon
13	1	127-49	Spring, Extension - .375 x 2.55	45	1	108-84	Washer, Engine, Clutch
14			See Section 3.0 Clutch System	46	4	117-118	Locknut, Nylon 3/8-16 Flanged
15	1	127-159	Drive Belt - Frontier - 11.3" Cen. Dist	47	4	108-26	Washer .43 x 1.02 x .09 Zn
	1	127-159HD	Drive Belt -Frontier -Heavy Duty (Opt.)				
16			See Section 3.0 Clutch System				
17	1	110-03	Key 1/4 x 3/16 x 2.375 RC46				
18	1	112-164	HHCS 3/8-16 x 3.50 Gr5 Zn				
19	7	108-06	Lockwasher 3/8 Split Ring Zn				
20	1	108-46	Washer .40 x 1.37 x 1.2 Hi-Carbon				
21	1	610-131	Frame, Power Pack FR EFI				
22	3	117-83	Locknut, Stover 5/8-11 Zn				
23	2	811-09	Washer, Square - .64 ID				
24	2	103-20	HHCS 1/2-13 x 6.5 Gr5 Zn				
25	3	112-58	HHCS 5/8-11 x 7.5 Gr5 Zn				
26	2	108-107	Lockwasher 1/2" High Alloy				
27	2	117-06	Nut, Fin Hex 1/2-13 Zn				
28	2	811-15	Washer, Square Lock .64 ID				
29			See Section 1.0 Transmission				
30	2	606-74	Disc, Brake-Splined #60-10T				
31	2	103-18	HHCS 3/8-24 x 1.25 Gr5 Zn				
32	2	108-18	Washer .40 x 1.37 x .12 Zn				

5.0 Steering & Brake System

Frontier 8x8 Parts Manual



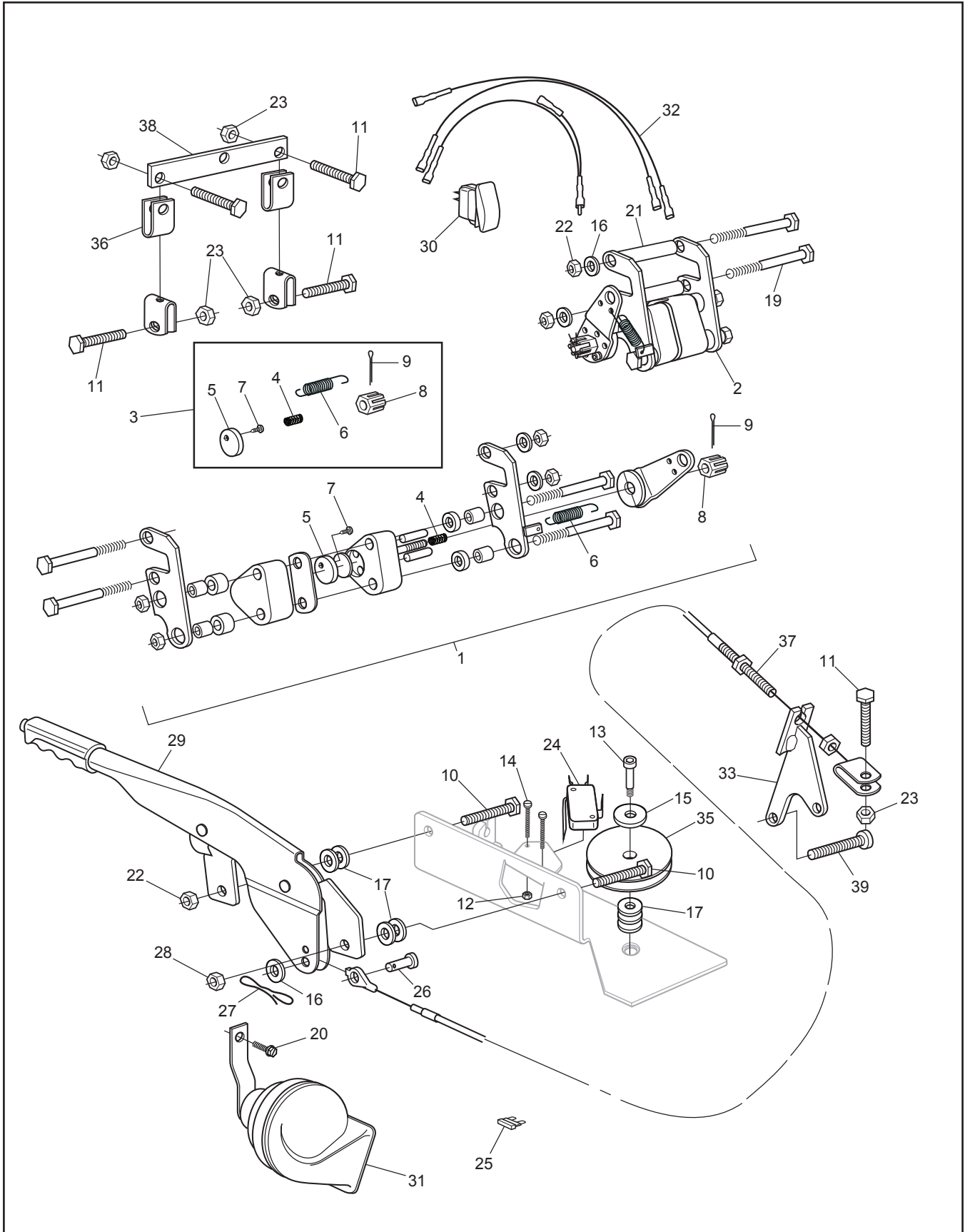
Frontier 8x8 Parts Manual

5.0 Steering & Brake System

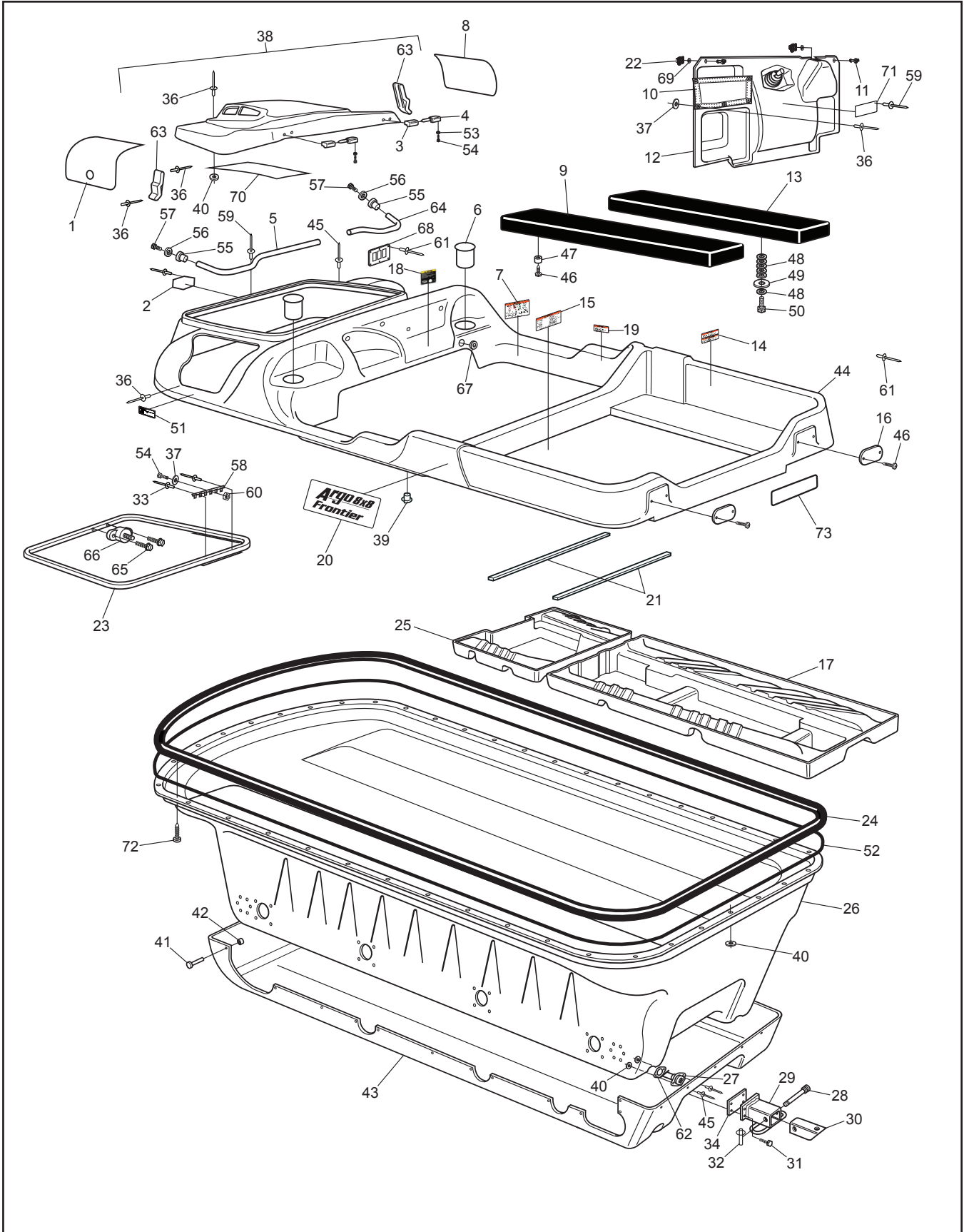
Ref.	Qty.	Part #	Description	Ref.	Qty.	Part #	Description
1	1	612-123	Frame Assembly, Steering Column	44	2	112-159	BHCS, 1/4-20 x 1.0, Plated
2	1	612-107	Handlebar Assembly	45		126-19	Fluid, Brake-Silicon Dot 5 - .35L
3	1	165-58	Master Cylinder, RH Wilwood	46	1	163-06	Hose Asm, Hydraulic - Right - SS
4	1	165-57	Master Cylinder, LH Wilwood	47	1	163-05	Hose Asm, Hydraulic - Left
5	1	612-128	Shaft, Steering - Avenger	48	2x2	160-42	Screw, FHMS M5 x 0,8 x 6mm
6	2	104-42	Pin, Spring 1/4 x 1.5"	49	1	165-37	Piston Seal Kit - Wilwood
7	1	108-47	Washer, .39 x .94 x .13 Zn Di-chr	51	1	117-10	Locknut, 10-24 N/I Zn
8	1	117-29	Locknut, Nylon 3/8-16 Zn	57	2	812-30	Pin, Female
9	2	612-124	Arm, Steering	58	2	117-03	Nut, Fin Hex 1/4-20 Zn
10	1	612-106	Clamp, Lower Handlebar	59	2	812-31	Pin, Male
11	1	612-105	Clamp, Upper Handlebar	60	2	112-02	SHSS 10-24x1/4 Knurl Cup PT, PL
12	1	106-07	Ring, Retaining SH-0075PA	62	2x2	168-07	Pin, Cotter 1/8 x 3.00 Zn
13	1	160-46	SHCS, #10-24 x 3/8"	64	4	160-44	Bolt, Banjo - M10 x 1,0 x 21,0
14	2	105-16	Bushing, Oilite - 3/4 x 1/2	65	8	160-01	Washer, Copper - 1,5 x 10,0 x 14,0
15	2	110-17	Key, 3/16 x 3/16 x .625	67	1	165-18	Pulley, Handbrake Cable
16	1	128-24	Retainer, Handbrake Cable	68	4	125-84	Grommet, Rubber
17	2	112-47	SHCS, 1/4-20 x 1.0 Zn	69	2	103-69	SHCS 1/4-20 x 1.5 Zn
18	4	117-27	Locknut, Nylon 1/4-20 Zn	70	1	612-132	Bracket, LCD Gauge - Painted
19	1	103-38	HHCS 5/16-18x1.25 Gr5 Zn	71	1	128-27	Grommet 1-1/4ID x 1-1/2x3/32
20	1	108-05	Lockwasher, 5/16 Split-Ring Zn	72	2	117-86	Nut, Acorn, 1/4-20 Zn
21	2	112-04	HHCS 1/4-20 x 3/4 Gr2 Zn	73	3	117-85	Nut, Acorn, M5 Zn
22	2	108-03	Lockwasher 1/4 Split Ring Zn	74	3	120-04	Washer .19 x .50 x.08 Zn
23	2	103-66	HHCS, 1/4-20 x 4.0 Gr5 Zn				
24	4	108-08	Washer, .28 x .62 x .04 Zn				
25	2x8	108-24	Washer, .34 x .70 x .06 Zn				
26	2	812-17	Collar				
27	1	128-17	Lever Assembly, Handbrake, Spring				
28	1	128-21	Cable Assembly, Handbrake				
29	2	127-35	Grip, Molded				
30	1	127-81	Throttle Twist Grip				
31	1	612-101	Cable Asm., Throttle - Frontier				
32	1	105-25	Bushing, Flange Oilite FF-310				
33	1	166-12	Caliper, Hydraulic Brake - L				
34	1	166-13	Caliper, Hydraulic Brake - R				
35	2	161-05	O-ring Kit, Knott Caliper				
36	4		Seal, Piston				
37	2		Seal, Rubber				
38	2x1	168-20	Plug, Rubber				
39	2x1	168-02	Screw, Bleeding, Knott Caliper				
40	2x4	103-55	HHCS, 5/16-18 x 2.75 Gr5 Zn				
41	1	170-03	Pad Set (4), Brake - Non-Asbestos				
42	2x4	117-03	Nut, Fin Hex 5/16-18 Zn				
43	2x2	168-01	Piston, Knott Caliper				

6.0 Parking Brake

Frontier 8x8 Parts Manual



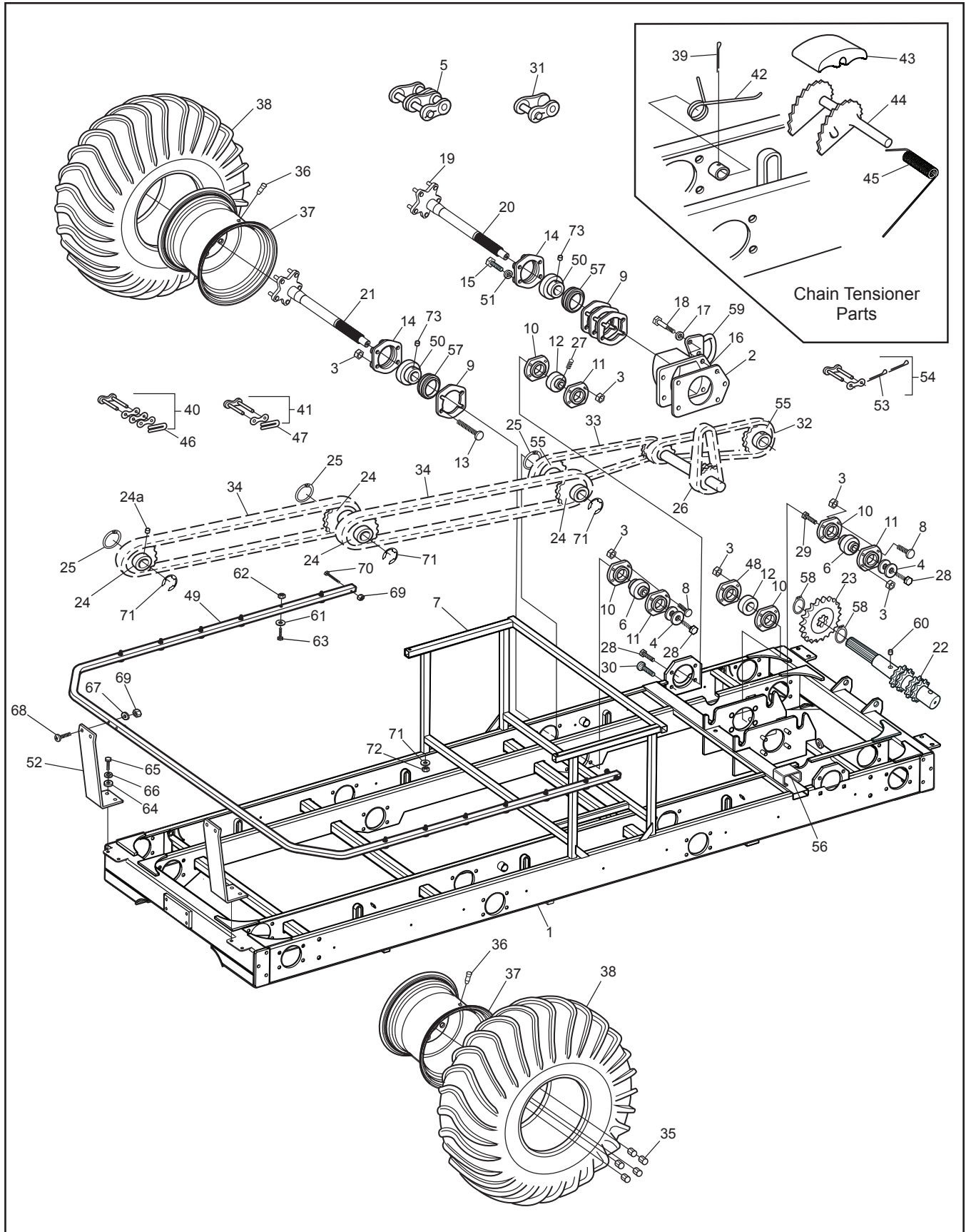
Ref.	Qty.	Part #	Description
1	1	850-96	Caliper Ass'y, LH, Parking Brake
2	1	850-97	Caliper Ass'y, RH, Parking Brake
3	1	850-98	Kit, Service, Parking Brake (includes Ref. 4 - 9, not sold separately)
4	1		Cam Tension Spring (compression)
5	1		Left & Right Brake Pads
6	1		Cam Arm Spring (tension)
7	1		Brake Pad Retaining Screw
8	1		Castle Nut
9	1		Cotter Pin
10	2	103-06	HHCS 5/16-18x1.0 Gr5 Zn
11	5	103-08	HHCS 1/4-20x1.0 Zn
12	2	112-173	Locknut, #5-40, Zn
13	1	112-178	Bolt, Shoulder, 1/2 x 5/8
14	2	112-172	SHCS 5-40 x 3/4 Zn
15	1	108-35	Washer .53 x 1.06 x .09 Zn
16	5	108-24	Washer .34x.70x.06 Zn
17	7	108-47	Washer .39x.94x.13 Zn Di-Chro
18	1	117-10	Locknut, 10-24 N/I Zn
19	4	112-132	HHCS 5/16-18 x 3.25 Gr5 Zn
20	1	112-19	Screw,IHWH T/C Slot 1/4-20x1/2*
21	2	105-43	Bushing .37x.03 Wall x 2.1 Lng
22	5	117-21	Locknut, Nylon 5/16-18 Zn
23	5	117-27	Locknut, Nylon 1/4-20 Zn
24	1	613-120	Switch, Micro, Lever
25	1	118-52	Fuse, 10A 2-Prong (AT010)*
26	1	104-27	Pin, Clevis 5/16x.75" Zn
27	1	100-140	Pin, Bow & Tie Cotter, 0.091 x 1.875
28	1	117-124	5/16" Nylon Insert Cap Nut
29	1	809-147	Lever, Parking Brake
30	1	848-175	Switch, Horn Momentary*
31	1	848-87	Horn, Electric*
32	1	848-176	Harness, Horn Momentary*
33	1	850-72	Bracket Asm, Parking/Brake
35	1	850-79	Pulley, Parking Brake Cable
36	2	850-80	Cable, Parking Brake Equalizer
37	1	850-81	Cable, Parking Brake
38	1	850-82	Flat Bar, Equalizer
39	1	112-143/PI	SHCS 5/16x1.25 Zn
			*If equipped



Frontier 8x8 Parts Manual

7.0 Vehicle Body & Firewall

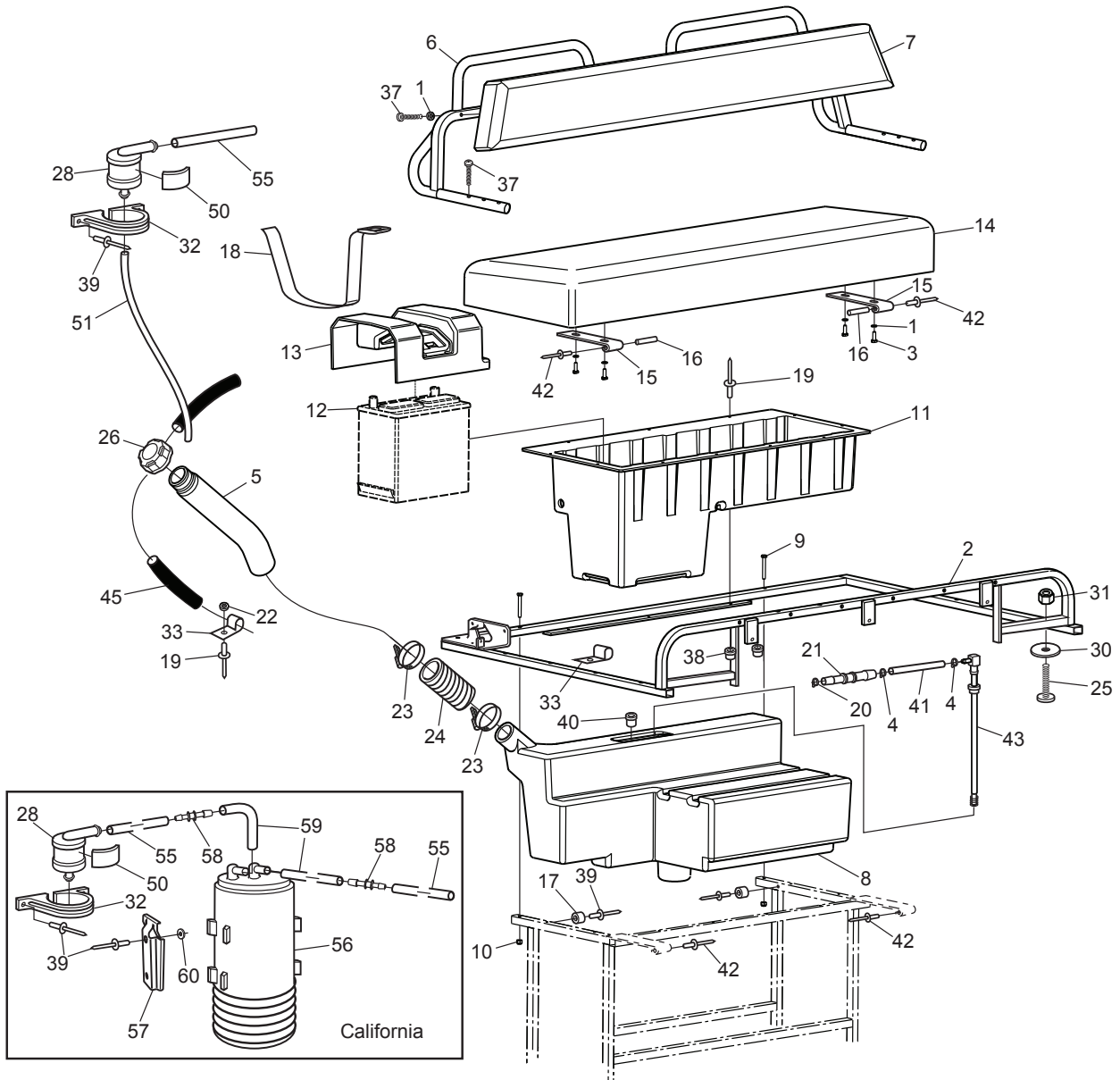
Ref.	Qty.	Part #	Description	Ref.	Qty.	Part #	Description
1	1	707-43	Screen - Exhaust	42	32	120-28	Collar, Magna Grip
2	1	601-130	Nameplate, "Argo"	43	1	801-51	Skid Plate - Black (Opt.)
3	2	127-45B	Knuckle, Hinge	44	1	801-53	Body & Hood, Upper -
4	2	127-45A	Pin, Hinge				Frontier (spec. colour) (incl.
5	1	601-103	Tube, Dash Handle, Pass. Side				23, 33, 38)
6	2	100-109	Cup Holder Insert	45	109	120-09	Rivet 3/16 x 1 - Black
7	1	126-68	Plate, Operation	46	8	103-48	T/S Pan HD Phil #10 x 5/8
8	1	707-42	Screen, Intake	47	4	126-79	Bumper, Plastic - Black
9	1	801-03	Seat, Rear - Left - 8x8 - Black	48	20	108-25	Washer .31 x .75 x .06 Zn
	1	801-03CF	Seat, Rear - Left - 8x8 - CF	49	4	603-15	Washer, Plastic 5/16 Hole
10	1	100-108	Mesh, Glove Box	50	2	103-08	HHCS 1/4-20 x 1.0 Zn
11	2	112-199	Stud, Q-Turn - Long	51	1	127-144	Label, Warning - HOT
12	1	803-68	Firewall	52	1	126-60	Vinyl Strip, 1/2" x 1/4" x 37.5'
13	1	801-02	Seat, Rear - Right - 8x8 - Black	53	8	108-59	Lockwasher #10 Int. Tooth Zn
	1	801-02CF	Seat, Rear - Right - 8x8 - CF	54	9	103-47	HHCS 10-24 x 1/2
14	1	126-67	Plate, Floor Pan	55	2	113-12	Insert, 1/2-13
15	1	127-173	Plate, Vehicle Capacity	56	2	108-35	Washer .53 x 1.06 x .09 Zn
16	2	127-01	Reflector, Red	57	2	112-151	HHCS 1/2-13 x 1" Gr2 Zn
17	1	803-58	Floor Pan, Rear	58	1	613-37	Terminal Strip, Ground
18	1	127-141	Label, Caution - Keyswitch	59	17	120-13	Rivet, 3/16 x 3/4 Black
19	1	126-69	Plate, Fuel	60	1	117-10	Locknut, 10-24 N/I Zn
20	2	850-368	Nameplate - Argo 8x8 Frontier	61	38	120-24	Rivet, 3/32 x 3/8 Alum. (all
21	2	601-106	Trim, Vinyl - 30" Black				plates)
22	2	117-91	Receptacle, Q-Turn	62	2	100-114	Gasket, Drain Plug
23	1	602-53	Frame Ass'y, Hood - Front	63	2	602-56	Latch, Hood - Soft Draw
24	1	801-05	Bumper, Vinyl - 8x8	64	1	601-104	Tube, Dash Handle, Driver
	1	801-202	Bumper, Vinyl - 8x8, Brown -				Side
			Scout	65	2	112-51	Screw, IHWH T/C #10-24x5/8
25	1	803-59	Floor Pan, Front	66	1	613-123	Post, Power, 5/16-18, Red
26	1	801-50	Body, Lower	67	1	128-26	Grommet, 1-1/2ID x 1-3/4x1/4
27	2	100-107	Plug, Drain - Flanged	68	1	127-150	Plate, Switch Mounting -3
28	1	104-13	Pin, Toplink - 3/4 x 2.75				Hole
29	1	616-16	Hitch Assembly	69	2	114-24	Retainer, Q-Turn Washer
30	1	616-19	Tube, Hitch	70	1	602-68	Screen, 1 Pc Hood/Scoop
31	4	103-61	HHCS 3/8-24 x 1.5 Gr5 Zn	71	1	129-01	Plate, Geared By ODG
32	1	104-11	Pin, Lynch - Ring	72	8	112-292	T/S Washer Hd Phil #8x3/4 Blk
33	2	120-15	Rivet - 1/8 x 7/16	73	1	850-375	Nameplate, Responder S
34	1	616-20	Gasket, Rear Hitch	1	1	850-400	Nameplate, Frontier S 8x8
35	4	108-15	Washer .42 x .81 x .05 Zn	1	1	850-381	Nameplate, Scout S
36	31	120-11	Rivet 5/32 x 9/16 - Black				Note: For ultra chrome add
37	6	120-05	Washer, .19 x .50 x .04 Zn				UC to part #
38	1	602-57	Hood Kit - Frontier (spec.				
			colour) (incl. 3, 4, 36, 53, 54,				
			63)				
39	2	117-44	T- Nut 1/4-20 Zn				
40	92	120-04	Washer .19 x .50 x .08 Zn				
41	32	120-27	Pin, Magna Grip				



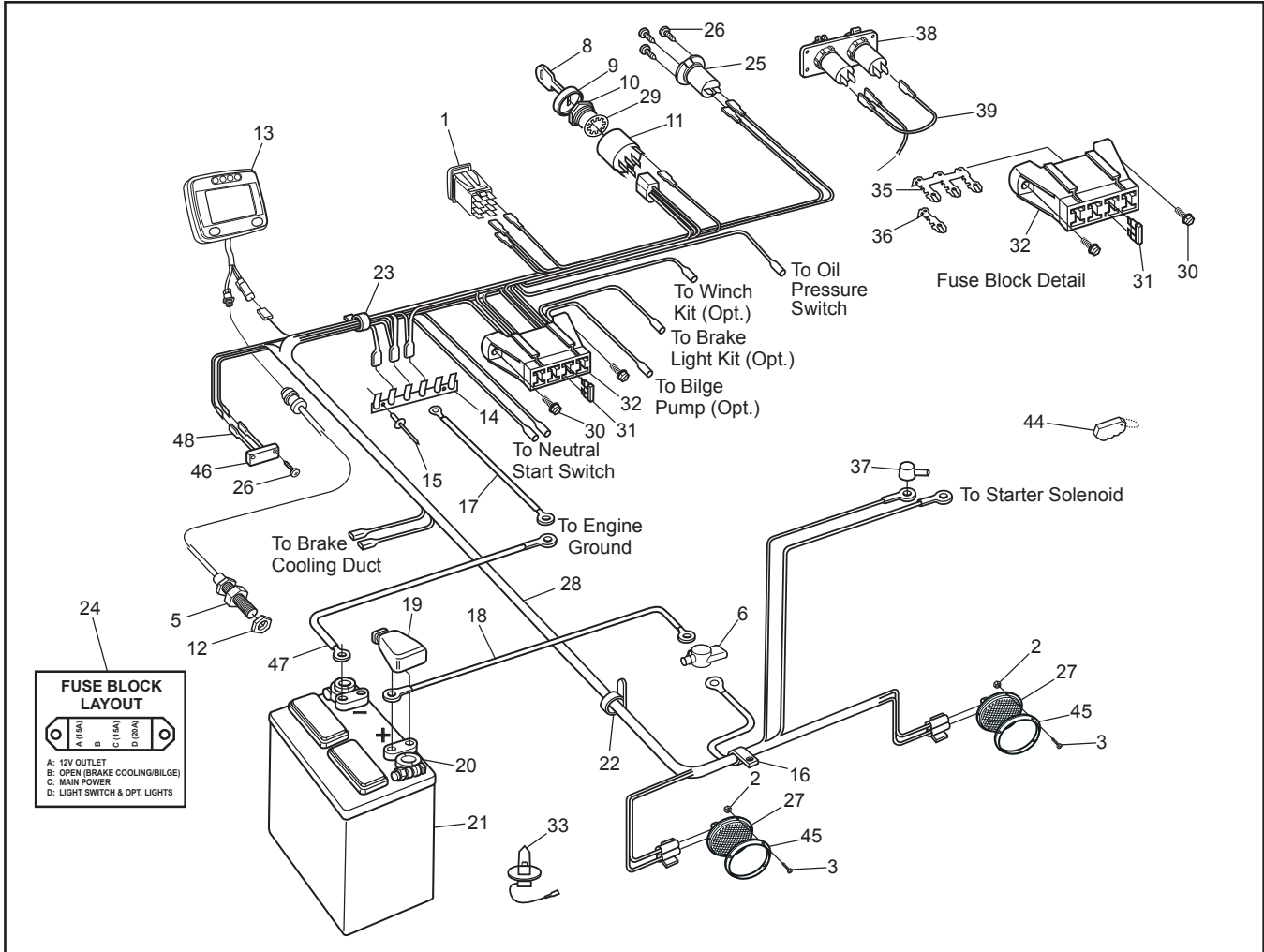
Frontier 8x8 Parts Manual

8.0 Frame and Drive System

Ref.	Qty.	Part #	Description	Ref.	Qty.	Part #	Description
1	1	804-136	Frame Wldt. - 8x8 Frontier	40	1x4	100-96	Con. Link, RC50-2 H.D.
2	4	606-25	Gasket - Bearing Extension	41	1x4	603-84	Con. Link, RC60-1 H.D.
3	80	117-118	Locknut, Nylon 3/8-16, Flanged	42	6	127-65	Spring Torsion - 1.16x0.35
4	16	108-46	Washer .40 x 1.37 x .12 Hi- Carbon	43	6	606-44	Slider Block
5		125-75	Link, Half RC50-2	44	6	606-82	Tensioner Asm, Chain
6	8	101-41	Bearing, Ball - 1.0	45	6	127-64	Spring, Torsion - .76 x 1.9
7	1	804-138	Frame Wldt, Seat 8x8	46	4	603-95	Spring Clip - RC 50 Closed
8	35	103-88	C/Bolt 3/8-16 x 1.0 Gr5 Zn	47	4	603-96	Spring Clip - RC 60 Closed
9	16	606-90	Gasket, Flange - 72mm	48	2	606-93	Flange, Greaseable - 90 Deg. Hd
10	12	606-91	Flange - 4 Hole Hd	49	1	806-254	Tube, Rear Hoop, Argo
11	10	606-92	Flange, Greasable - 4 Hole Hd	50	8	101-95	Bearing, Ball - 1.25 x 72mm
12	4	101-96	Bearing, Ball - 1.25x1.5 No Grv	51	16	101-123*	Bearing, Ball - 1.375x72mm
13	16	112-187	C-Bolt 3/8-16x2.0 Gr5 Zn	52	2	108-06	Lockwasher 3/8 Split Ring Zn
14	8	606-88	Flange Ass'y, Outer Bearing	53	2	806-255	Bracket, Rear Hoop, Argo
15	16	103-68	HHCS 3/8-16 x 2.0 Gr5 Zn	54	4	104-35	Pin, Cotter 2mm x 12mm
16	4	810-112	Bearing Extension w/nuts	55	2	127-188	Link, Con. #60 Lambda
17	20	108-34	Washer .47 x .94 x .06 Zn	56	4	810-28	Sprocket, Double - 24T
18	20	112-181	HHCS 7/16-20 x 1.75 Gr5 Zn	57	4	810-142*	Sprocket, D50x25T-16/32 Int
19	5x8	112-183	Stud, Wheel 7/16-20 x 1.5	58	2	606-43	Slide, Chain - 2-3/4"
20	4	810-92	Axle Asm - Front/Rear HD	59	8	606-89	Carrier, Axle Bearing
	4	810-122*	Axle Asm - Forged - FR/RR	60	4	107-10	Retaining Ring SH-0125-PA
21	4	810-113	Axle Asm - Mid HD	61	2	642-47	Tie Down Bracket
	4	810-123*	Axle Asm - Forged - Mid	62	1	613-127	Magnet, Speedometer
22	2	810-59	Shaft, Idler - 11T	63	14	108-42	Washer .21x1.0x.06 Zn
23	2	606-72	Sprocket, Idler S60 x 21T	64	14	117-10	Locknut, 10-24 N/I Zn
24	8	606-34	Sprocket, S60 x 19T	65	14	112-07	RHMS 10-24x1.50 Zn
	8	805-143*	Sprocket, S60 x 19T-16/32 Int	66	4	108-12	Washer .34x1.00x.06 Zn
24a	10	112-03	SHSS 5/16-18 x 3/8 1/2 DOG, PL	67	4	103-06	HHCS 5/16-18x1.0 Gr5 Zn
25	6	106-15	Retaining Ring SH-0137-PA	68	4	108-05	Lockwasher 5/16 Split-Ring Zn
26	2	803-62	Chain, RC60-1 x 34P Idler- Lambda	69	4	108-08	Washer .28x.62x.07 Zn
27	4	112-60	SHSS 1/4-28 x 1/2 Cup Pt.	70	4	112-215	C/Bolt 1/4-20 x 1.5 Gr2 Zn
28	8	112-31	HHCS 3/8-16 x 1.0 2B Gr8 Zn	71	6	117-27	Locknut, Nylon 1/4-20 Zn
29	1	112-163	HHCS 3/8-16 x 2.0 Gr5 Zn	72	2	112-214	HHCS 1/4-20 x 2 Gr5 Zn
30	4	112-61	C/Bolt 3/8-16 x 1.25 Gr5 Zn	73	4	108-24	Washer .34x.70x.06 Zn
31		127-80	Link, Half - RC60 - 1 (opt.)	74	4	117-21	Locknut, Nylon 5/16-18 Zn
32	2	803-55	Chain, RC50-2 x 46P-Front (incl. Ref. 40)	75	8	112-200	SHSS 5/16-24x5/16 Flat PT
33	2	803-56	Chain, RC50-2 x 74P-Mid (incl. Ref. 40)	76	6	106-34*	Retaining Ring, E-Style 1.375"
34	4	803-57	Chain, RC60-1 x 90P-Rear (incl. Ref. 41)				Tire, Rim & Valve Assemblies
35	5x8	117-35	Nut, Wheel 7/16-20 Zn	8	8	127-158R	Tire+Rim Asm, Argo-24, Right
36	8	125-26	Valve, Tire	8	8	127-158L	Tire+Rim Asm, Argo-24, Left
37	8	125-13BL	Rim - 8x7, 5 Bolt - Black	8	8	127-182R*	Tire+Rim Asm, Argo-25, Right
	8	127-255BL*	Rim - 9x10x1.2 Offset -Black	8	8	127-182L*	Tire+Rim Asm, Argo-25, left
38	8	127-158	Tire, Argo 24 x 10-8				* Responder S model
39	6	100-01	Pin, Cotter 1/8 x 1.50 Zn				

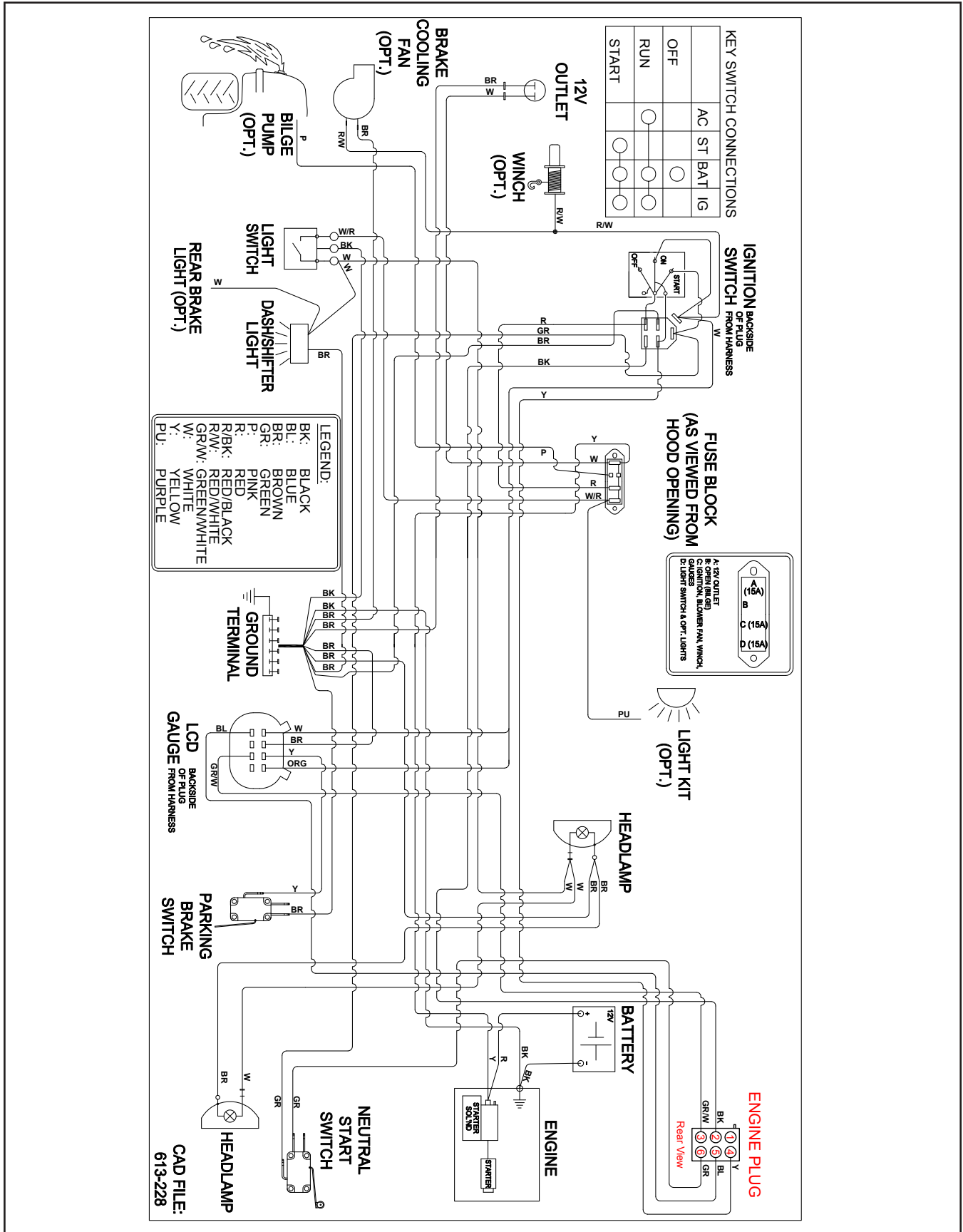


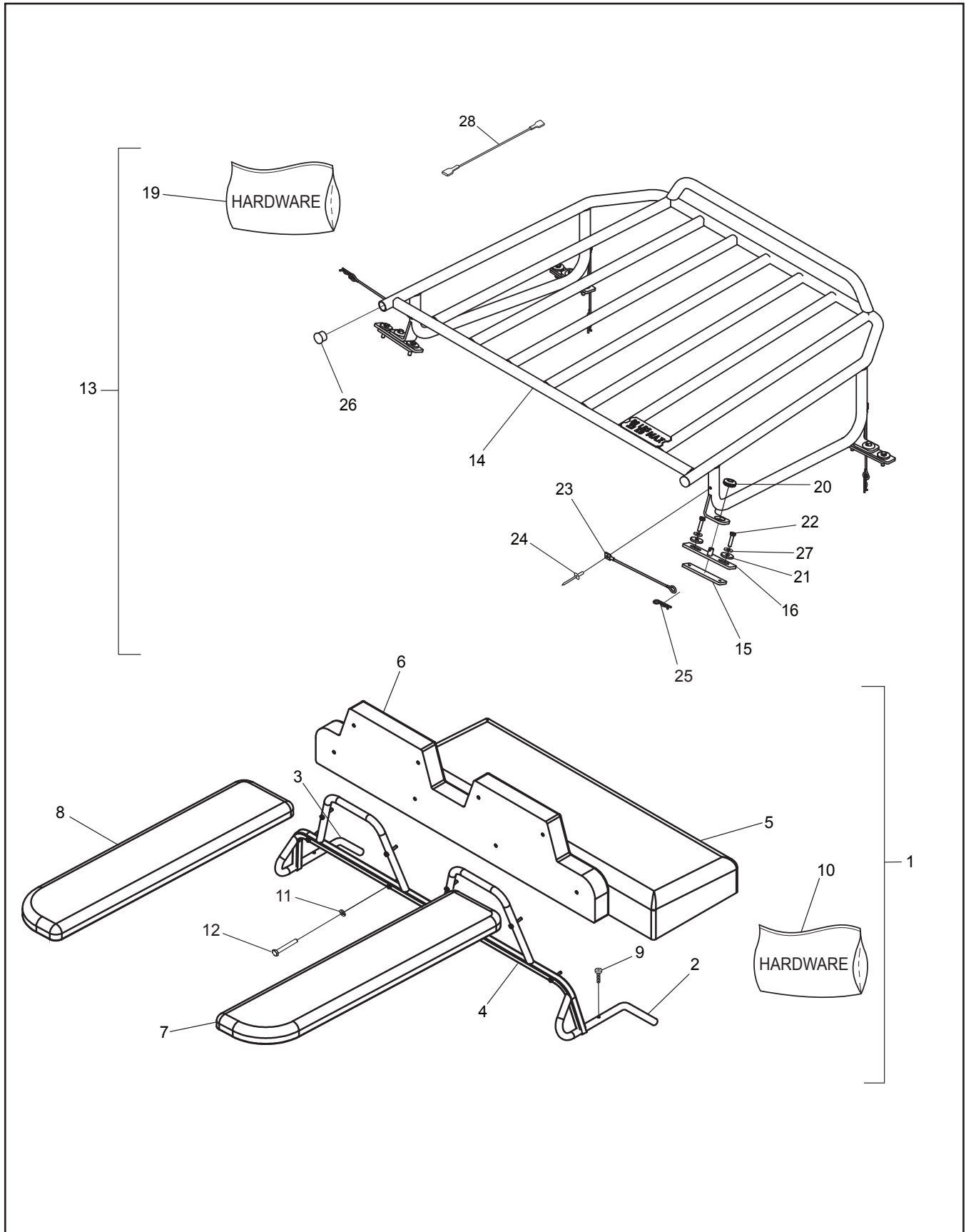
Ref.	Qty.	Part #	Description	Ref.	Qty.	Part #	Description
1	8	108-03	Lockwasher 1/4 Split Ring Zn	44	1	608-136	Grommet, Fuel Return
2	1	608-132	Frame Assembly, Seat - EFi	45	1	608-66	Hose, Fuel 1/4" ID, 80"
3	4	112-04	HHCS 1/4-20x3/4 Gr2 Zn				United States Vehicle Kit
4	2	112-78	Clamp, Hose, 9/16		1	127-273	Plate, Serial Blank Double
5	1	608-140	Fuel, Fill Neck Assembly		1	127-274	Label, U.S EPA EVAP
6	1	608-186	Weld. Adj. Backrest, Argo				Approval
7	1	608-39	Back Pad Assembly - Black	46	2	120-24	Rivet, Alum - 3/32 x 3/8
	1	608-39CF	Back Pad Assembly - CF				Black
8	1	608-120	Tank, Fuel Low Permeation				California Vehicle Kit
9	2	103-77	HHCS, 1/4-28 x 2.0		1	127-273	Plate, Serial Blank Double
10	2	117-01	Locknut, Nylon 1/4-28 Zn		1	127-274	Label, U.S EPA EVAP
11	1	608-54	Toolbox				Approval
12	1	127-54	See Section 10.0 Electrical System	39	2	120-13	Rivet - 3/16 x 3/4 Black
13	1	608-55	Cover, Battery	46	4	120-24	Rivet, Alum - 3/32 x 3/8
14	1	608-88	Seat Assembly, Bench - Thick				Black
	1	608-88CF	Seat Assembly, Bench - CF		1	127-275	Label, Carb EVAP
15	2	608-81	Hinge, Seat, Bolted				Approval
16	2	104-43	Pin, 3/16" x 1-1/8"	47	1	126-101RM	Hose, Vent 3/16" ID
17	2	126-102	Bumper, Recessed Hole	48	1	609-45	Carbon Canister 800cc
18	1	608-56	Strap, Battery	49	1	609-46	Bracket, Carbon Canister
19	17	120-09	Rivet 3/16x1 - Black	50	2	609-48	Reducer, Barbed 1/4" to
20	4	112-79	Clamp, Hose, 1/2" Red				3/16"
21	1	808-133	Reducer, 5/16" to 1/4" Barbed	51	2	127-160-3	Hose, 1/4ID x 3/8OD - 3"
22	8	120-04	Washer .19 x .50 x .08 Zn				Long
23	2	100-12	Clamp, Gear 2.25" HF-36	52	2	120-05	Washer .19x.50x.04 Zn
24	1	125-94	Hose, Filler				
25	10	112-07	RHMS 10-24 x 1.50 Zn				
26	1	126-100	Fuel Cap, Tethered				
27	1	126-60	Vinyl Strip 1/2" x 1/4"				
28	6'	127-160RM	Tubing, 1/4 ID Clear Plastic				
29	1	609-47	Valve, Rollover				
30	10	108-42	Washer .21 x 1.0x.06 Zn				
31	14	117-10	Locknut, Nylon #10-24 Zn				
32	1	609-50	Clamp, Rollover Valve				
33	9	126-93	Clamp, Nylon Wire - 1/2" ID				
34	2	702-06	Foam Cushion				
35	2	126-101RM	Hose, Vent 3/16" ID				
36	1	112-41	PHMS, Phil 1/4-20 x 1.25 Zn				
37	6	103-03	PHMS, Phil 1/4-20 x 1.50 Zn				
38	2	117-64	Insert, 1/4-20 Steel Cad Pltg.				
39	4	120-13	Rivet, 3/16 x 3/4 Black				
40	1	608-137	Plug, Push-In				
41	2"	608-69RM	Hose, Fuel - 5/16" ID Carb				
42	4	120-31	Rivet, 3/16" x 1/4, Open End				
43	1	608-127	Pick-up, Fuel, 5/16 105 Mesh				



Ref.	Qty.	Part #	Description
1	1	613-153	Switch, Light
2	8	117-93	Nut, Speed #10
3	8	112-198	T/S Pan Hd Phil #10 x 1 Blk. Zn
5	1	613-226	Sensor, Speedo Pickup 1 Pc.
6	1	613-124	Insulator, 2 Way w/cap, Red
7	1	118-30	Terminal, Eye - #10
8	2	127-108	Key, Molded
9	1	127-107	Cover, Nut
10	1	127-106	Nut, Flanged - Plastic
11	1	127-105	Switch - Ignition
12	1	117-87	Nut, M12 x 1.25, Zn
13	1	613-130	Gauge, LCD
14	1	613-37	Terminal Strip, Ground
15	2	120-15	Rivet 1/8 x 7/16
16	4	127-24	Clamp, Nylon - 1" ID
17	1	613-14	Wire, Ground - 14"
18	1	613-94	Wire, Positive Battery
19	1	127-55	Cap, Battery Terminal - Red
20	2	127-56	Terminal, Battery Post
21	1	127-54	Battery, Exide 45-60
	1	613-161	Battery, Optima - Argo (Opt.)
22	8	100-64	Tie Wrap - 5.5" - Black
23	13	126-93	Clamp, Nylon Wire - 1/2" ID
24	1	127-154	Label, Fuse Panel

Ref.	Qty.	Part #	Description
25	1	613-90	Outlet, 12 V DC
26	6	112-139	#4 Phil Drive Oval Head Screw, Blk.
27	2	613-159	Headlight - 3.75W
28	1	613-228	Wire Harness, Kohler EFI
29	1	114-26	Lockwasher, 5/8 Int. Tooth
30	2	112-51	Screw, IHWH T/C #10-24x5/8
31	3	118-49	Fuse, 15 A 2-prong (AT015)
32	1	118-60	Block Fuse - 8 position (4 fuse)
33	2	127-46	Bulb, Headlight - Halogen
35	1	118-63	Terminal, Fuse - Triple
36	5	118-62	Terminal, Fuse - Single
37	3	613-45	Insulator, Terminal (6 ga.)
38	1	118-80	Outlet, 12V & Twin USB (if equipped)
39	1	613-231	Wire Harness, USB (if equipped)
44	1	681-00	FOB, Key - Floating
45	2	613-152	Bezel, Headlamp
46	1	613-99	Light, Shifter Illumination
47	1	613-95	Wire, Negative Battery
48	2	118-69	Terminal, 3/16 Male Blade 22 Ga

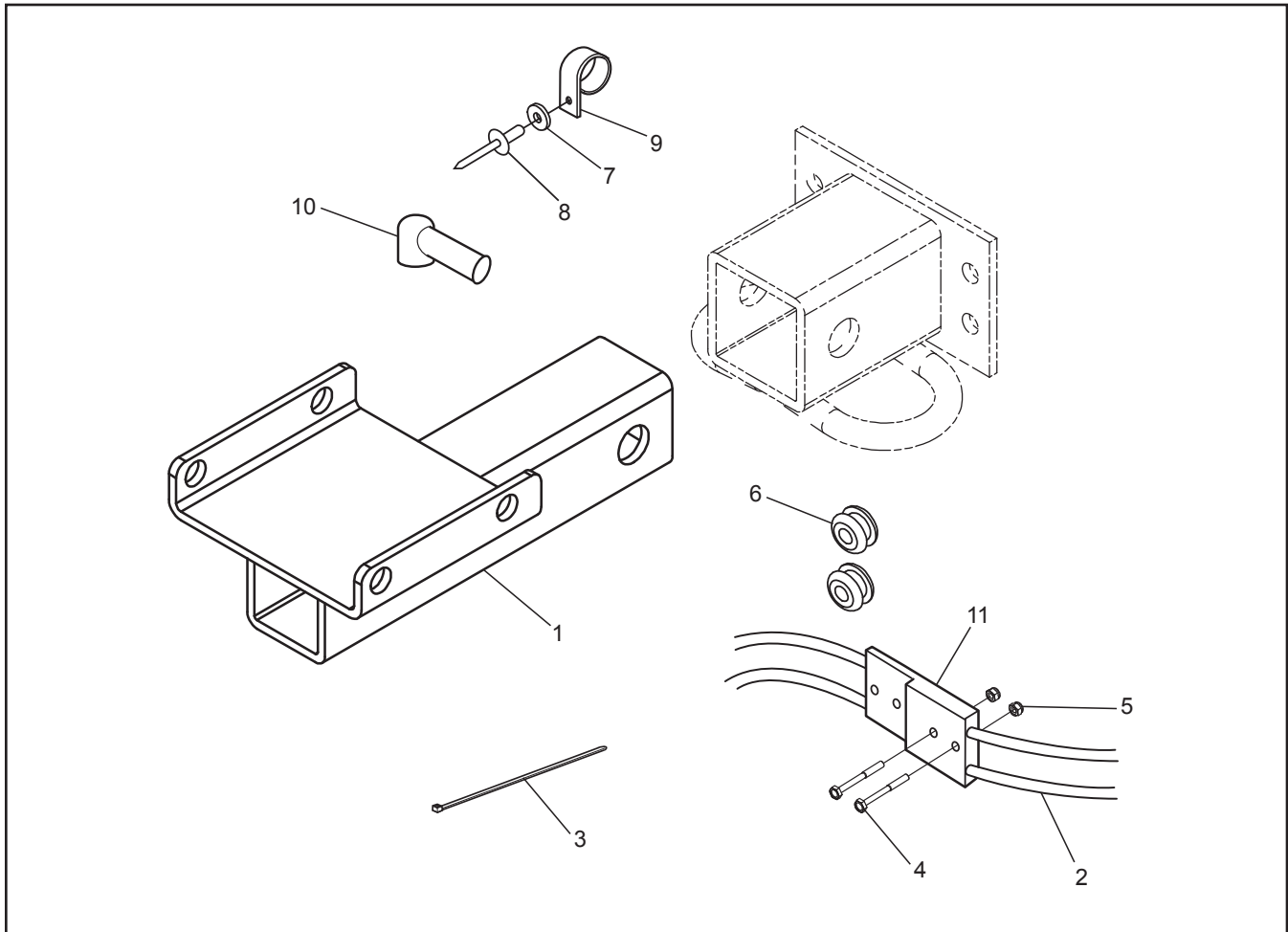




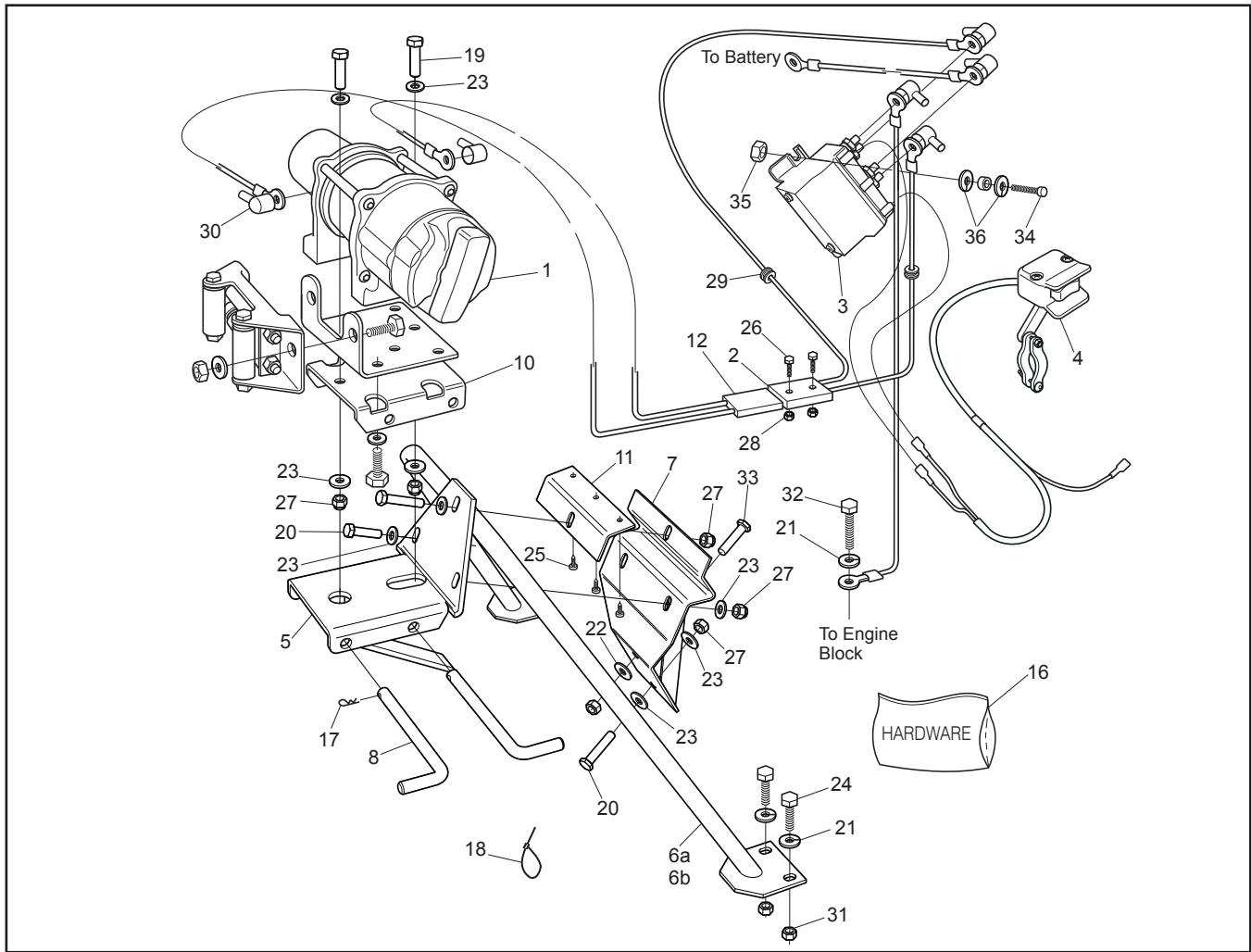
Frontier 8x8 Parts Manual

11.0 Scout Option

Ref.	Qty.	Part #	Description	Ref.	Qty.	Part #	Description
1	1	850-359	Acc. Scout Seating, 8x8				
2	1	608-192	Tube, R.F. Backrest, Argo				
3	1	608-191	Tube, L.F. Backrest, Argo				
4	1	850-351	Wldt, Backrest, Scout				
5	1	850-319	Seat, Front Bench, Scout				
6	1	850-320	Seat, Front Backrest, Scout				
7	1	850-358	Seat, Rear RH - 6x6, Scout				
8	1	850-357	Seat, Rear LH - 6x6, Scout				
9	2	103-03	PHMS 1/4-20 x 1.50 Zn				
10	1	850-350HDW	Acc, Scout Seating, Hardware				
11	8	108-03	Lockwasher 1/4 Split Ring Zn				
12	8	112-297	HHCS 1/4-20 x 1.75 Full Thread				
13	1	850-340	Acc, Hood Rack, Argo (incl. Ref. 14-27)				
14	1	850-338	Wldt, Hood Rack, Scout				
15	4	958-268	Wldt, Hood Rack Mount - Rear				
16	4	850-339	Plate, Backing, Hood Rack Argo				
19	1	850-340HDW	Acc, Hood Rack, Argo, Hardware (incl. Ref. 20-27)				
20	4	127-132	Grommet, Rubber - 1/2" ID				
21	8	108-104	Washer, 0.28ID x 1.0OD x 0.13, Blk				
22	8	112-212	HHCS M6x1x25mm, Black Zn				
23	4	104-80	Lanyard, 6" Loop, W/Tab				
24	4	120-31	Rivet, 3/16" X 1/4", Open End				
25	4	100-16	Clip, Hitch Pin 1.625 Zn				
26	2	639-25	Plug, End - Black				
27	8	108-105	Lockwasher, 1/4 Split, Blk Zn				
28	1	613-258	Wire, Fog Light Acc.				
				<p>Note: Scout 8x8 trim package also includes the following standard Argo accessories:</p> <ul style="list-style-type: none"> 622-142 Winch 642-50 Brush Guard 801-51 Skid Plate 638-40 Bilge Pump 848-240 Dual Entry Step Front and rear bearing extensions (see Section 8.0) 			



Ref.	Qty.	Part #	Description
1	1	622-93	Receiver, Rear Winch Avg
2	1	622-116	Wire Harness, Receiver Winch
3	2	100-64	Tie Wrap - 5.5" - Black
4	2	112-126	HHCS M3x0,5x30 CL 8.8 Zn
5	2	117-78	Locknut, Nylon M3x 0.5" Zn
6	2	125-84	Grommet, Rubber
7	4	120-04	Washer .19x.50x.08 Zn
8	4	120-09	Rivet - 3/16 x 1.0 Black
9	4	127-287	Clamp, Nylon Wire - 3/4" ID
10	2	613-46	Terminal, Insulator
11	1	118-72	Connector Housing, Anderson

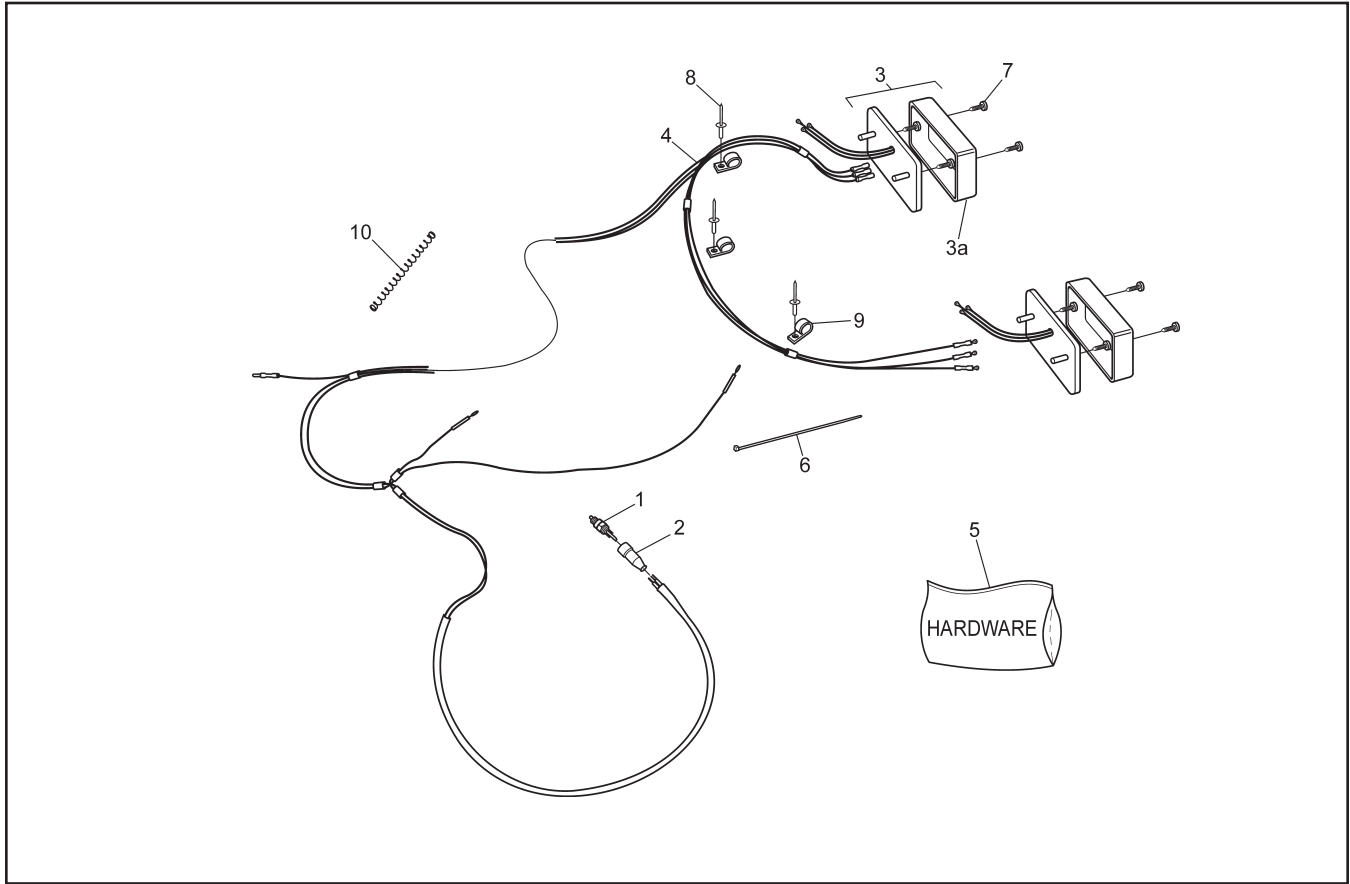


Ref.	Qty.	Part #	Description
1	1	622-138	Winch, Pro Vantage 3500, Warn includes Ref. 2,3,4,5
2	1	622-109	Wire Harness, Winch
3	1	622-141	Solenoid, Winch - Warn
4	1	622-139	Switch, Winch Toggle- Warn
5	1	622-112	Receiver Ass'y, Front Winch
6a	1	622-81	Hoop Ass'y, Winch - 8x8
6b	1	622-101	Hoop Ass'y, Winch - 6x6
7	1	622-83	Bracket, Body Support - Winch
8	2	622-85	Release Pin, Receiver Winch
10	1	622-111	Plate, Winch Mount
11	1	622-99	Hoodframe Support Bracket, Winch
12	2	810-107	Connector, Two Wire - 6 Gauge
13	1	118-02	Terminal, Male - #76-1251
14	1	118-03	Terminal, Female - #76-1289
16	1	622-142HDW	Hardware Kit - includes the following:
17	2	100-16	Clip, Hitch Pin 1.625 Zn

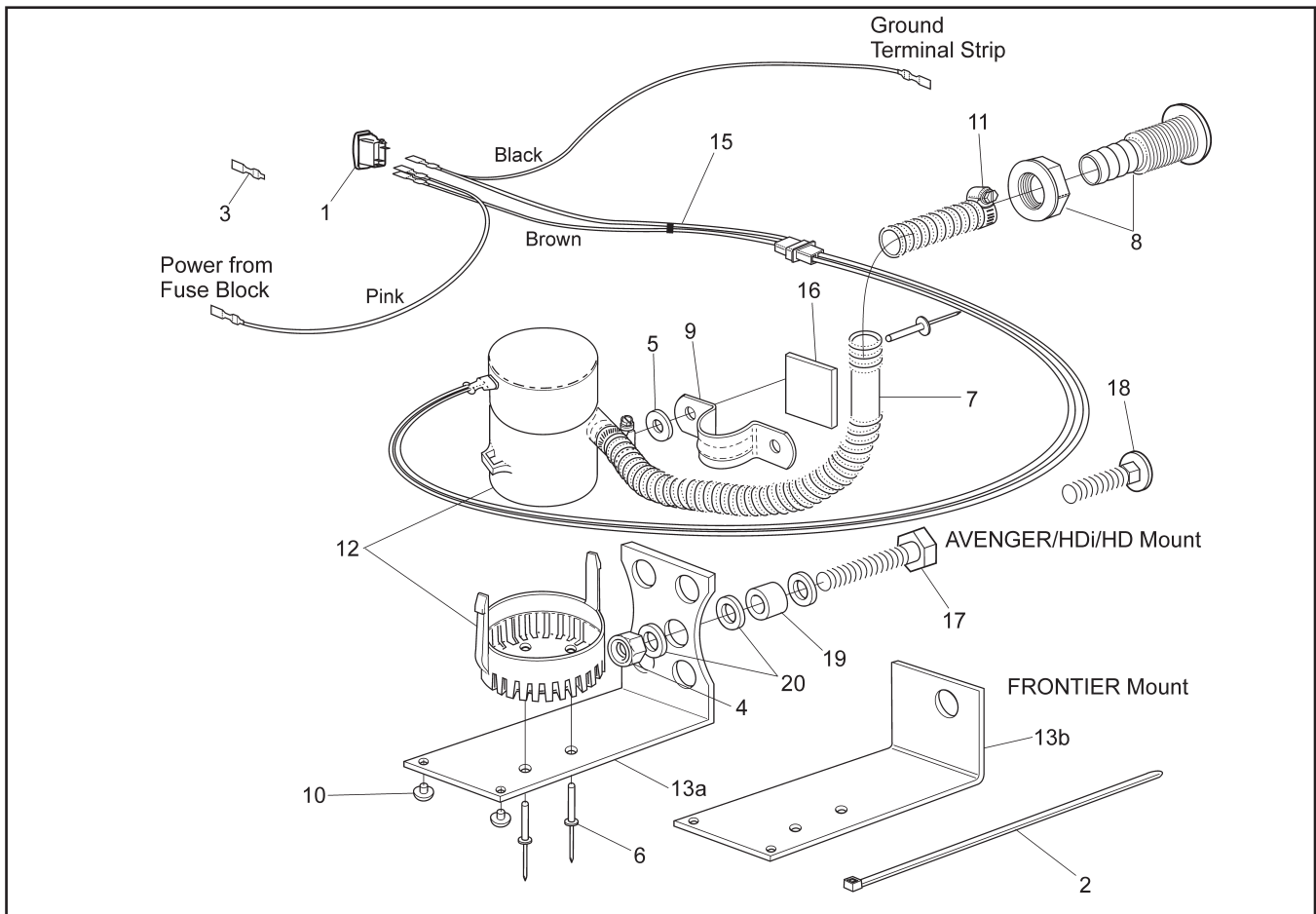
Ref.	Qty.	Part #	Description
18	4	100-64	Tie Wrap - 5.5" Black
19	2	103-34	HHCS 3/8-16 x 1.25 Gr5 Zn
20	4	103-82	HHCS 3/8-16 x 1.5 Gr5 Zn
21	5	108-05	Lockwasher 5/16 Split Ring Zn
22	1	108-18	Washer .40 x 1.37 x .12 Zn
23	12	108-47	Washer .39x.94x.13 Zn Di-Chro
24	4	112-01	HHCS 5/16-18x3/4 Gr5 Zn
25	3	112-102	Screw, Self Drill 12-14 x3/4"
26	2	112-126	HHCS M3 x 0,5 x 30 Cl 8.8 Zn
27	7	117-29	Locknut, Nylon 3/8-16 Zn
28	2	117-78	Locknut, Nylon M3 x 0.5" Zn
29	2	125-84	Grommet, Rubber
30	5	613-45	Insulator, terminal 6 Ga.
31	4	117-03	Nut, Fin Hex 5/16-18 Zn
32	1	112-20	HHCS M8 x 1,25 x 25mm Zn
33	1	103-17	HHCS 3/8-16 x 1.0 Gr5 Zn
34	2	112-07	RHMS 10-24x1.50 Zn
35	2	117-10	Locknut, 10-24 N/I Zn
36	4	120-05	Washer .19x.50x.04 Zn

624-10 Brake Tailights

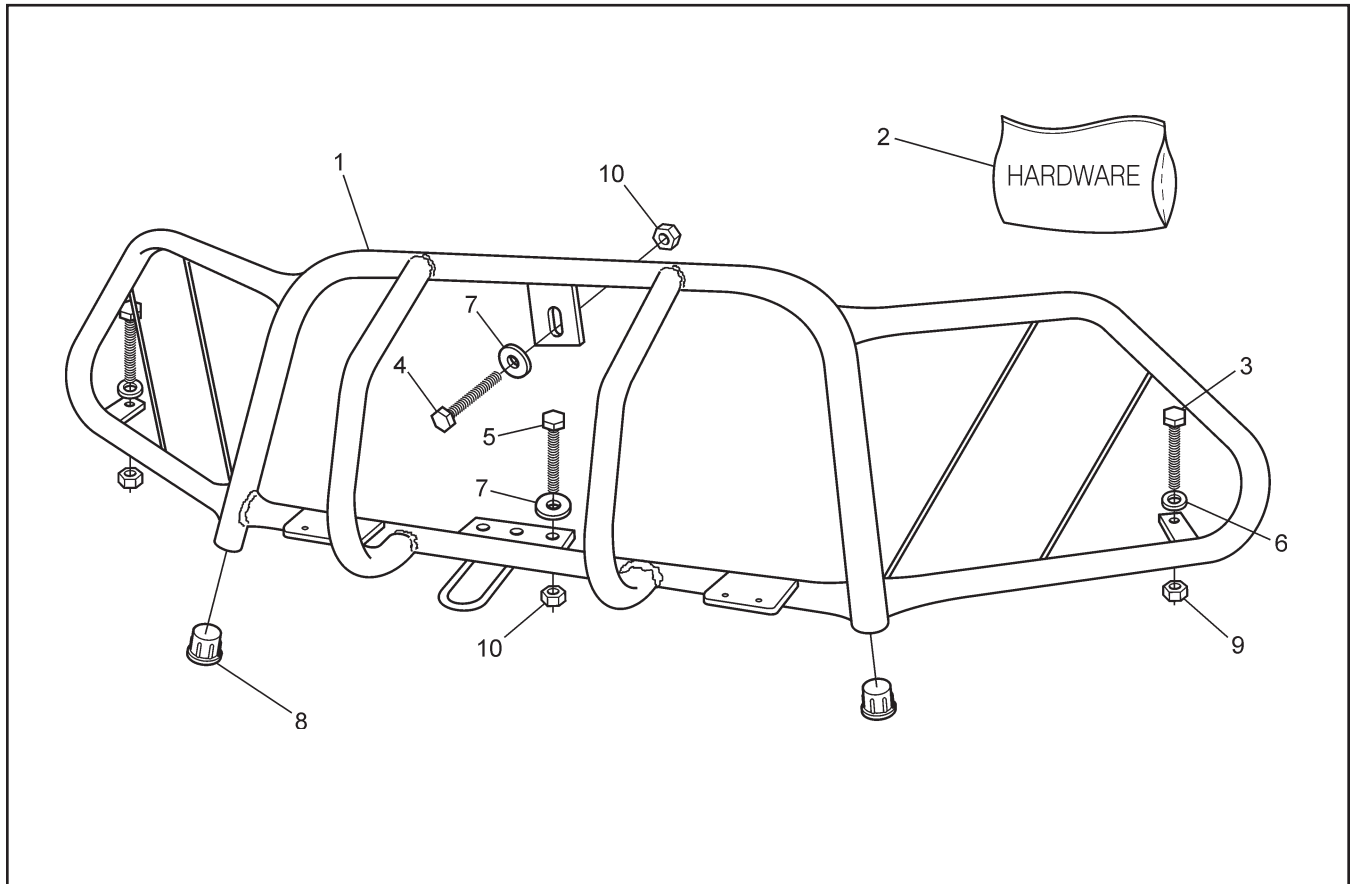
Frontier 8x8 Parts Manual



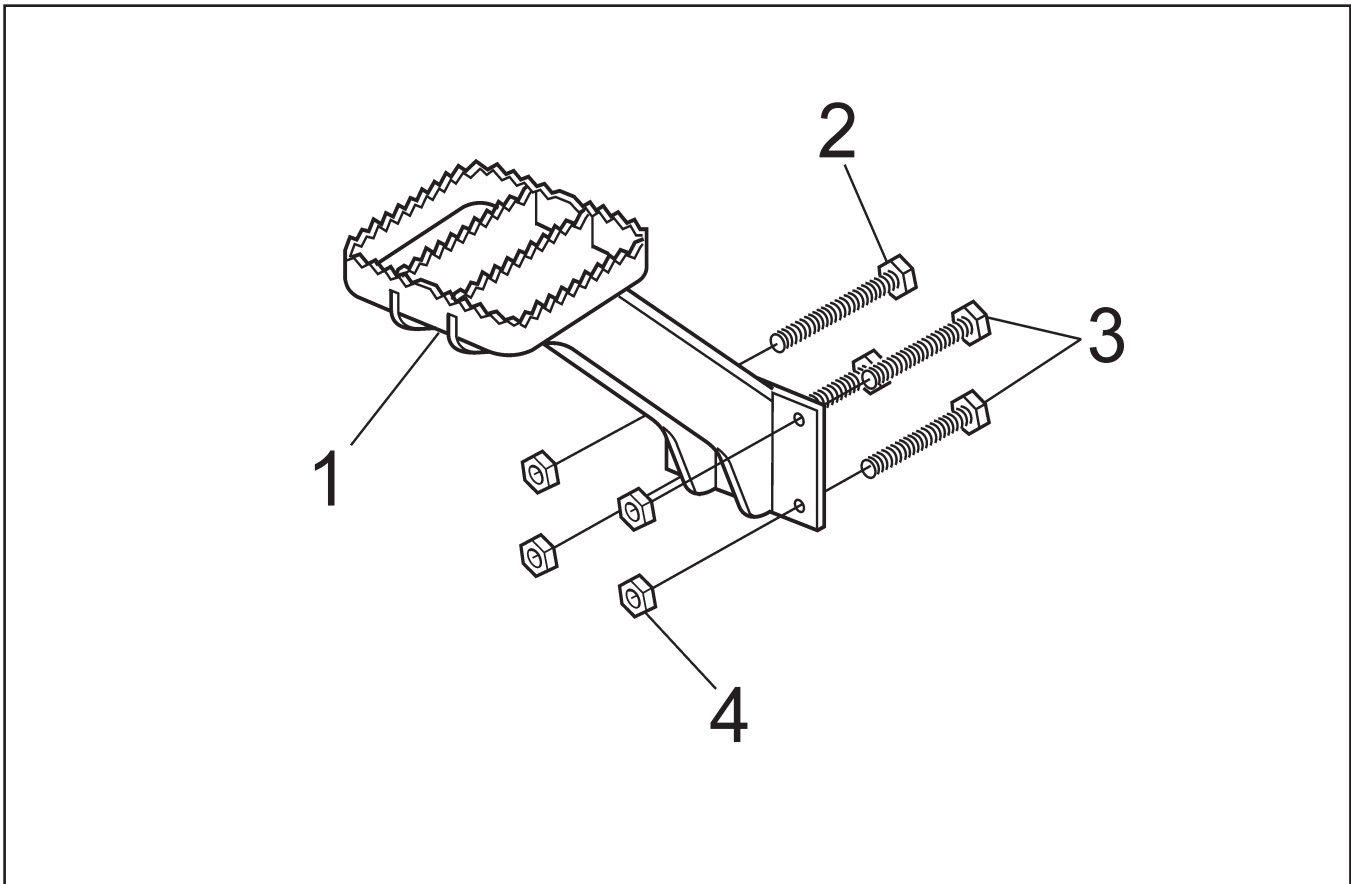
Ref.	Qty.	Part #	Description
1	1	118-66	Switch, Brake Light
2	1	118-67	Boot, Brake Light Switch
3	2	624-06	Light, Brake
3a	2	624-27	Lens, Brake Light
4	1	624-11	Wire Harness, Brake Light
5	1	624-10HDW	Hardware Kit includes the following:
6	6	100-64	Tie Wrap - 5.5" Black
7	4	112-56	T/S Pan Hd Phil #10 x 3/4 A Screw Zn
8	3	120-13	Rivet - 3/16 x 3/4 Black
9	3	126-93	Clamp, Nylon Wire - 1/2" ID
10	1	128-11	Spring, .312 OD x .244 ID x 5.0"
11	2	118-30	Terminal, Eye - #10



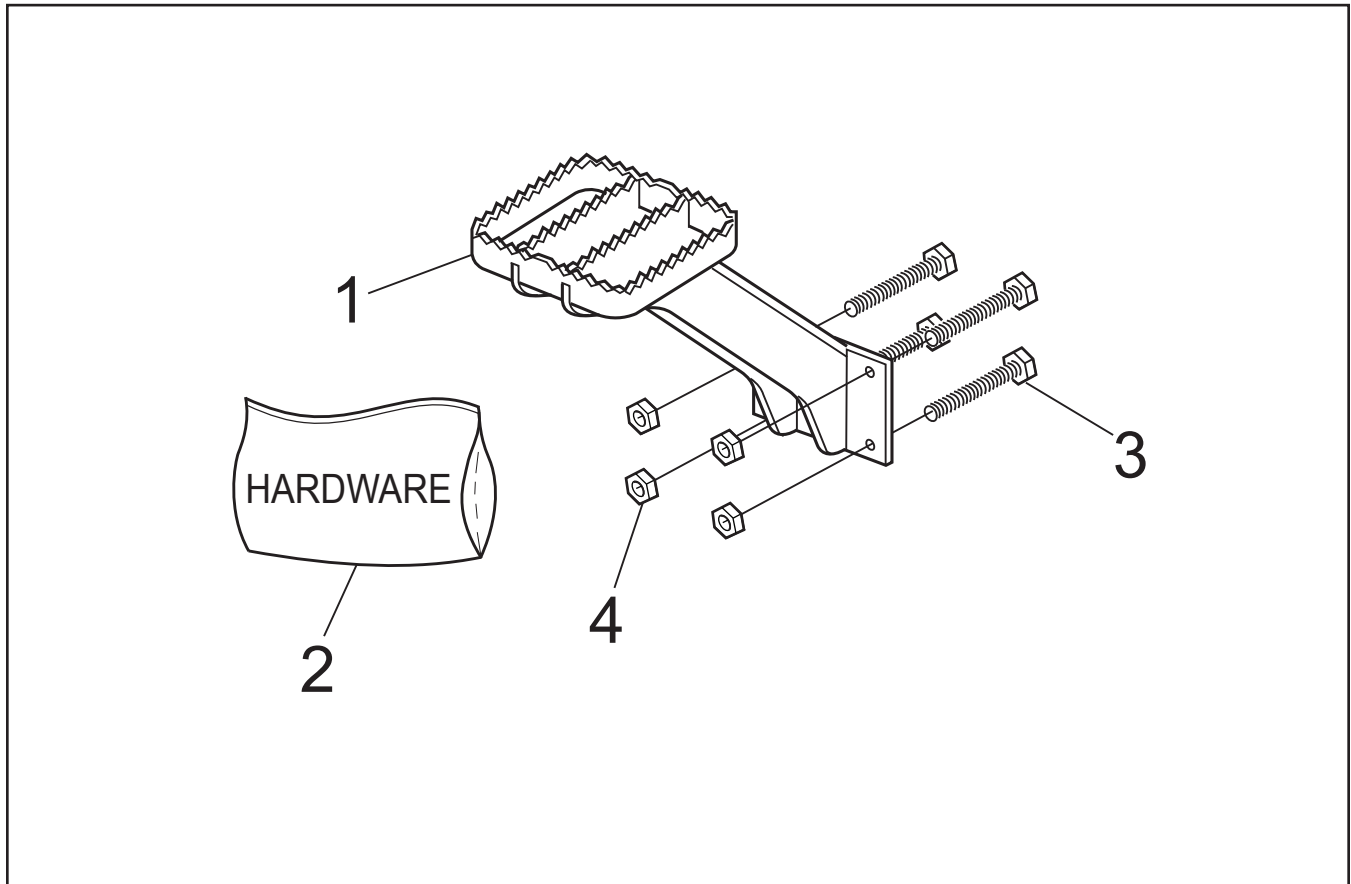
Ref.	Qty.	Part #	Description
1	1	613-154	Switch, Bilge Pump
2	10	100-64	Tie Wrap
3	1	118-64	Terminal, Female 1/4 22-18 Ins
4	2	117-29	Locknut, Nylon
5	4	120-04	Washer, 3/16"
6	4	120-13	Rivet, 3/16 x 3/4
7	1	638-05	Flex Hose, 3'
8	1	638-08	Hull Fitting
9	1	638-11	1" Pipe Strap
10	2	638-14	Rubber Bumper
11	2	638-16	Gear Clamp
12	1	638-18	Bilge Pump & Wire ASM
13a	1	638-19	Bracket, Bilge Pump
13b	1	638-41	Bracket, Bilge Pump
15	1	638-28	Wire Harness w/3 amp fuse
16	1	702-06	Foam Cushion
17	1	112-163	HHCS 3/8-16 x 2.0 Gr5 Zn
18	1	103-88	C/Bolt 3/8-16 x 1.0 Gr5 Zn
19	1	603-66	Spacer, .500 ID x .625 Lg.
20	3	108-15	Washer .42 x .81 x .05 Zn



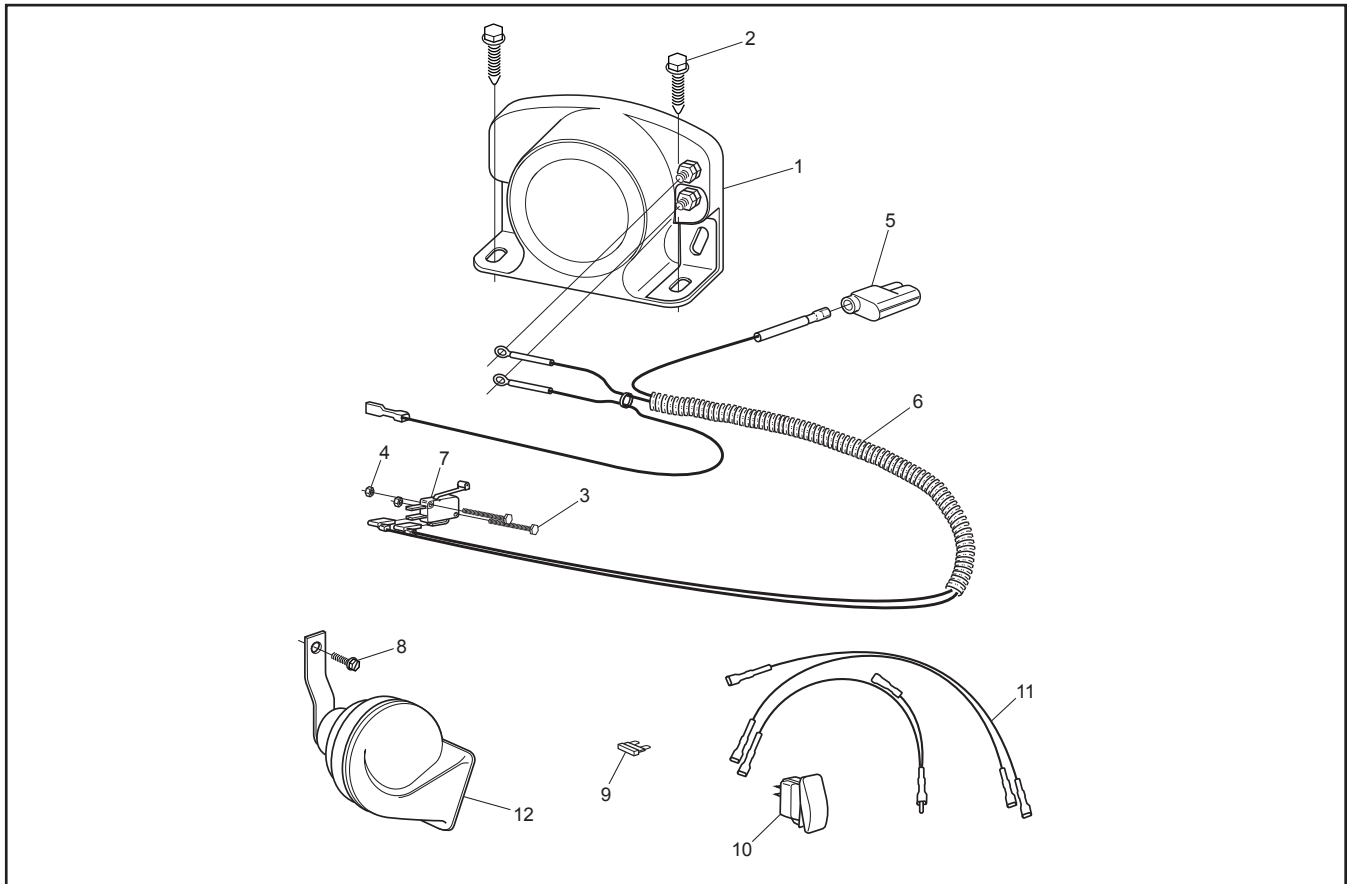
Ref.	Qty.	Part #	Description
1	1		Brushguard, Frontier w/tabs (not sold separately)
2	1	642-20HDW	Hardware Kit comprised of:
3	2	103-57	HHCS 5/16-18 x 1.5 Gr5 Zn
4	1	103-76	HHCS 3/8-16 x 1.75 Gr5 Zn
5	3	103-82	HHCS 3/8-16 x 1.5 Gr5 Zn
6	2	108-12	Washer .34 x 1.00 x .06 Zn
7	7	108-18	Washer .40 x 1.37 x .12 Zn
8	2	113-13	Plug, 1-1/4" Tube- Avg Brushguard
9	2	117-21	Locknut, Nylon 5/16-18 Zn
10	4	117-29	Locknut, Nylon 3/8-16 Zn



Ref.	Qty.	Part #	Description
1	1		Step Asy, Entry - Avenger (not sold separately)
2	1	103-76	HHCS 3/8-16x1.75 Gr5 Zn
3	3	103-82	HHCS 3/8-16x1.5 Gr5 Zn
4	4	117-29	Locknut, Nylon 3/8-16 Zn

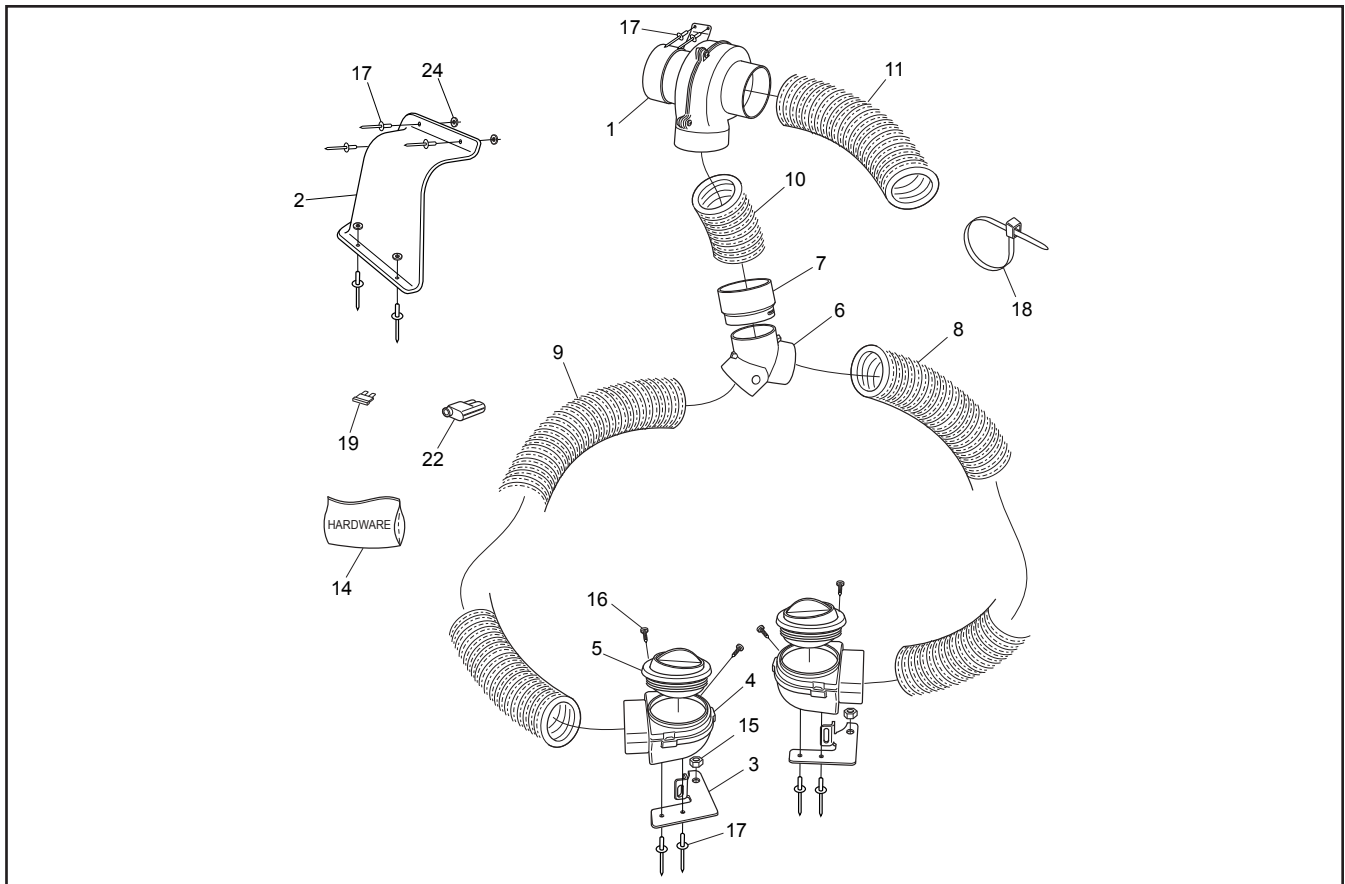


Ref.	Qty.	Part #	Description
1	1	848-239	Step, Side Entry, Frontier
2	1	848-240HDW	Hardware, Acc., Entry Step
3	4	103-82	HHCS 3/8-16x1.5 Gr5 Zn
4	4	117-29	Locknut, Nylon 3/8-16 Zn

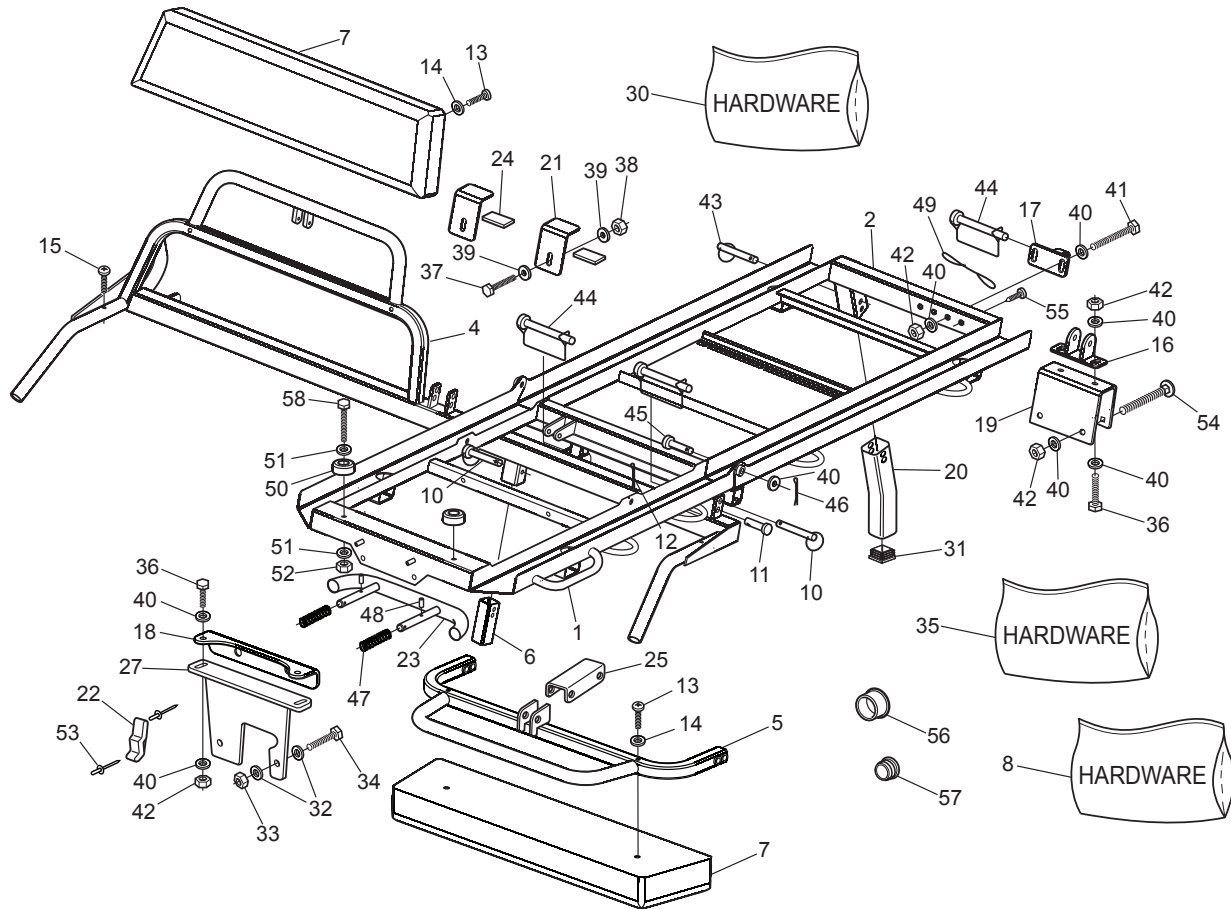


Ref.	Qty.	Part #	Description
1	1	848-126	Alarm, Back-up
2	2	112-102	Screw, Self-Drill 12-14 x 3/4"
3	2	112-126	HHCS M3x0,5x30 CL 8.8 Zn
3a	2	112-172	SHCS 5-40x3/4 ZN (required for HDi mounting of micro switch)
4	2	117-78	Locknut, Nylon M3x 0.5" Zn
4a	2	112-173	Locknut, #5-40, Zn (required for HDi mounting of micro switch)
5	1	118-04	Connector, T-Tap 14-18 Awg
6	1	613-113	Wire Harness, Back-up Alarm
7	1	809-202	Switch, Limit - Two Pole
8	1	112-119	Screw, IHWH T/C Slot 1/4-20 x 1/2
9	1	118-52	Fuse, 10A 2 Prong (ATC010)
10	1	848-175	Switch, Horn Momentary
11	1	848-176	Harness, Horn Momentary
12	1	848-87	Horn, Electric

864-01 Brake Cooling Accessory Frontier 8x8 Parts Manual



Ref.	Qty.	Part #	Description
1	1	127-184	Blower Fan C/W Mtg Bracket
2	1	809-04	Shroud, Intake Duct
3	2	864-03	Bracket, Cooling Duct
4	2	864-06	Duct, Brake Cooling
5	2	864-07	Louver, Brake Cooling
6	1	864-04	Fitting, 2.5" Hose Y
7	1	864-05	Fitting, Hose Reducer 3" -2.5"
8	1	864-08	Hose, Brake 2.5" x 24"
9	1	864-09	Hose, Brake 2.5" x 48"
10	1	864-10	Hose, Brake 3" x 6"
11	1	864-11	Hose, Brake 3" x 12"
14	1	864-01HDW	Hardware, Service Brake Cooling HD
15	2	117-14	Locknut, Centerlock 3/8-16 Zn
16	4	112-139	OHPS T/S #4x5/8 Black Zn
17	13	120-09	Rivet - 3/16 x 1.0 Black
18	12	100-102	Tie Wrap - 14" - White - 50lb
19	1	118-52	Fuse, 10A 2-Prong (ATC010)
20	1	118-02	Terminal, Male - #76-1251
21	1	118-03	Terminal, Female - #76-1289
22	14	120-11	Rivet, 5/32 x .157-.472
23	5	120-04	Washer .19x.50x.08 Zn



Ref.	Qty.	Part #	Description	Ref.	Qty.	Part #	Description
1	1	850-302	Weld. Ass'y, Front Track - SAR	32	4	108-23	Washer .42x.81x.06 Gr8 Zn
2	1	850-103	Weldment, Rear Track - SAR	33	2	117-29	Locknut, Nylon 3/8-16 Zn
3	1	850-306	Backrest, SAR, includes the following:	34	2	103-17	HHCS 3/8-16x1.0 Gr5 Zn
4	1	850-104	Weldment, Backrest - SAR	35	1	850-300HDW	Hardware Kit, Stretcher includes:
5	1	850-301	Weld. Ass'y, Folding Backrest	36	4	103-17	HHCS 3/8-16 x 1.0 Gr5 Zn
6	1	850-145	Tube, Adjustment	37	2	103-57	HHCS 5/16-18 x 1.5 Gr5 Zn
7	2	608-92	Backpad Asm - Black, SAR	38	2	17-21	Locknut, Nylon 5/16-18 Zn
8	1	850-306HDW	Hardware Kit, Backrest, SAR includes:	39	4	108-24	Washer .34 x .70x.06 Zn
9	4	108-23	Washer .42 x .81 x .06 Gr8 Zn	40	20	108-23	Washer .42 x .81 x .06 Gr8 Zn
10	3	104-47	Pin, Quick-Release, 3/8 x 1.80	41	2	112-29	HHCS 3/8-16 x 2.5 Gr5 Zn
11	2	104-46	Pin, Clevis, 3/8 x 2	42	8	117-29	Locknut, Nylon 3/8-16 Zn
12	2	100-100	Pin, Cotter 1/8 x 3/4 Zn	43	1	104-47	Pin, Quick-Release, 3/8 x 1.80
13	4	103-03	PHMS 1/4-20 x 1.50 Zn	44	3	104-45	Pin, Safety, 3/8 x 2-1/4
14	4	108-03	Lockwasher 1/4 Split Ring Zn	45	2	104-44	Pin, Clevis, 3/8 x 3/4
15	2	112-41	PHMS, Quadrex 1/4-20x1.25 Zn	46	2	100-100	Pin, Cotter 1/8 x 3/4 Zn
16	1	850-106	Bracket Asm, SAR	47	2	127-172	Spring, Compression, 5/8x2-3/4
17	1	850-107	Bracket Asm, Rear SAR	48	2	104-26	Pin, Spring 3/16 x 13/16
18	1	850-136	Bracket, Dash	49	3	104-37	Lanyard, Nylon - 8"
19	1	850-318	Bracket, Rear Mount	50	2	850-137	Bumper, 1.5 OD x 0.625 Thk
20	1	850-314	Post, Wlded - Adjustable	51	4	108-08	Washer .28 x .62 x .07 Zn
21	2	850-149	Bracket, Front Tube Hold-Down	52	2	117-27	Locknut, Nylon 1/4-20 Zn
22	1	602-56	Latch, Hood - Soft Draw	53	4	120-11	Rivet - 5/32 x 9/16 Black
23	1	850-303	Handle Ass'y, Stretcher	54	2	112-170	C/Bolt, 3/8-16 x 3.0in
24	2	127-123	Rubber, Strip -1/4 x 1" x 6.5"	55	3	112-102	Screw, Self-Drill 12-14 x 3/4"
25	1	850-296	Bracket, Linkage	56	1	127-111	Plug, Black Nylon - 7/8" ID
26	1	850-304	Restraint, Two 5ft Cot Straps	57	3	867-17	Plug, OD 7/8" ID 0.685"-Black
27	1	850-311	Brkt, Wlded - Front Support	58	2	103-08	HHCS 1/4-20x1.0 Zn
30	1	850-310HDW	Hardware Kit, Stretcher - Frontier - includes:				
31	1	850-317	Plug, Sq. 1.25" - Black				

ARGO Products Manufactured by:

Ontario Drive & Gear Limited

220 Bergey Court

New Hamburg, Ontario

Canada N3A 2J5

Phone: (519) 662-2840

Fax: (519) 662-2421

www.argoxtv.com

ODG *Dedicated to quality and performance*